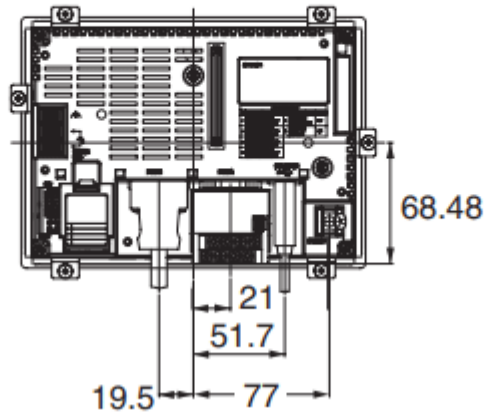
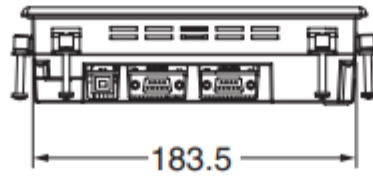
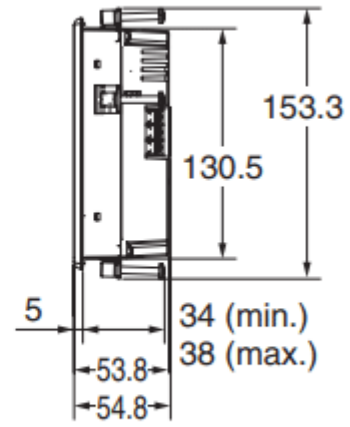
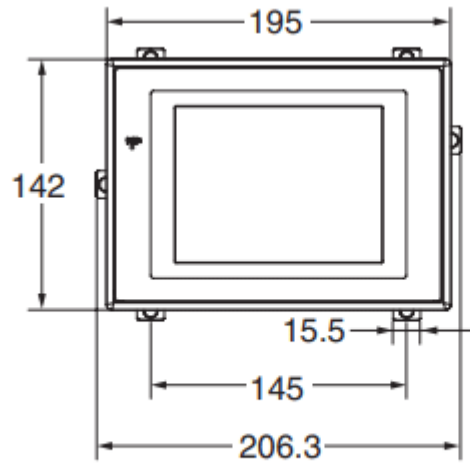
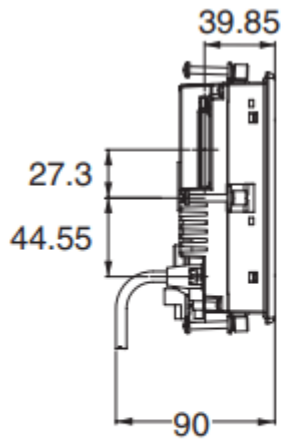


ay	Display	5.7 inch STN monochrome
	Resolution	320 x 240
	Case color	Ivory
	Backlight Life Time	>50,000 hrs.
	Colors	16 gradations
Touch Panel	Type	Resistive Membrane
Memory	Internal memory	20MB
	Memory Card	Yes (30/64/256/512 MB)
I/O Port	USB Host	N/A
	USB Slave	USB 2.0 type B (connect CX-designer)
	Ethernet	N/A
	COM Port	COM A : RS232C (Host Link) COM B : RS232C (Host Link)
Power	Input Power	24±15% VDC
	Power Consumption	Max 25W
Specification	Battery Life	5 year
	Temperature	0 -50 độ C
	Weight	1kg
HMI Software		CX – Designer (thuộc phần mềm CX-One)

Bản vẽ kích thước :



● Recommended Panel Cutout Dimensions

