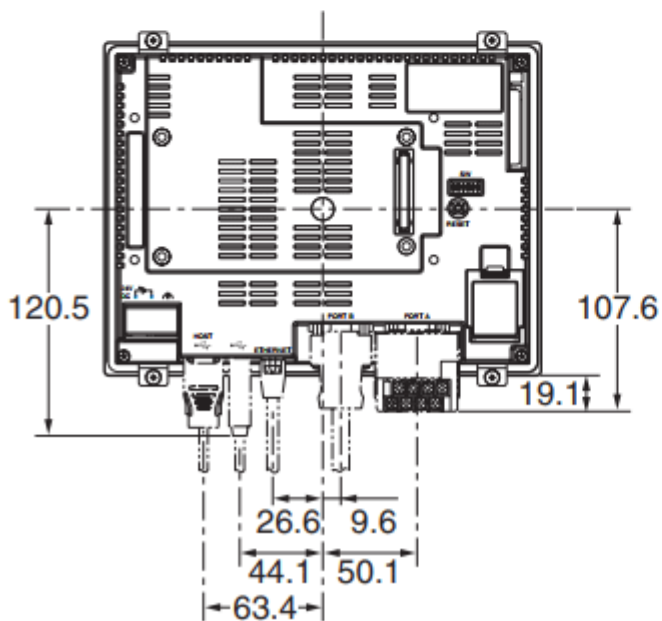
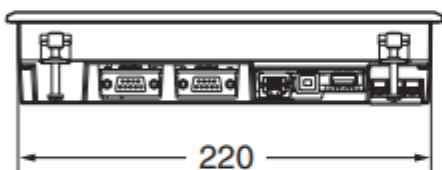
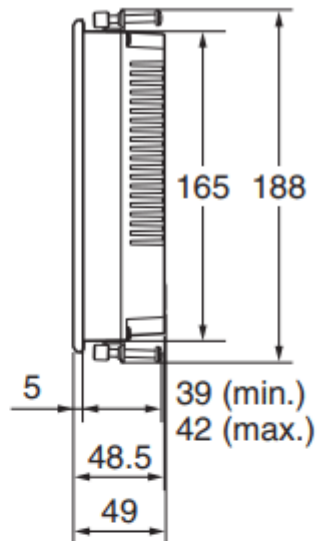
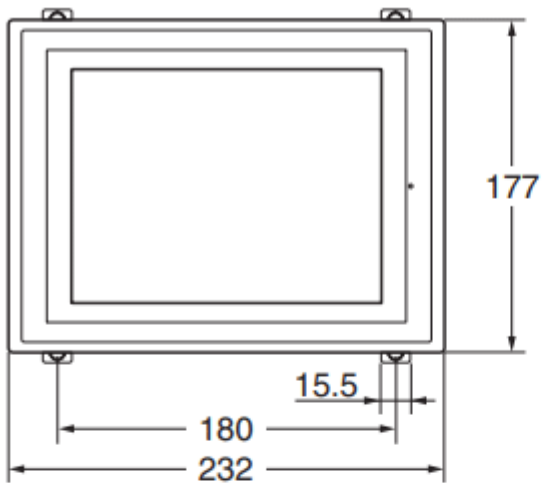


| | | |
|---------------|---------------------|--|
| Display | Display | 8.4 inch TFT Color |
| | Resolution | 640 x 480 |
| | Case color | Black |
| | Backlight Life Time | >50,000 hrs. |
| | Colors | 256 color |
| Touch Panel | Type | Resistive Membrane |
| Memory | Internal Memory | 60MB |
| | Memory Card | Yes (30/64/256/512 MB) |
| I/O Port | USB Host | USB 2.0 type A (connect Printer) |
| | USB Slave | USB 2.0 type B (connect CX-designer) |
| | Ethernet | Yes |
| | COM Port | COM A : RS232C (Host Link) COM B : RS232C (Host Link) |
| Power | Input Power | 24±15% VDC |
| | Power Consumption | Max 25W |
| Specification | Battery Life | 5 year |
| | Temperature | 0 -50 độ C |
| | Weight | 2 kg |
| HMI Software | | CX – Designer (thuộc phần mềm CX-One) |

Bản vẽ kích thước :



● Recommended Panel Cutout Dimensions

