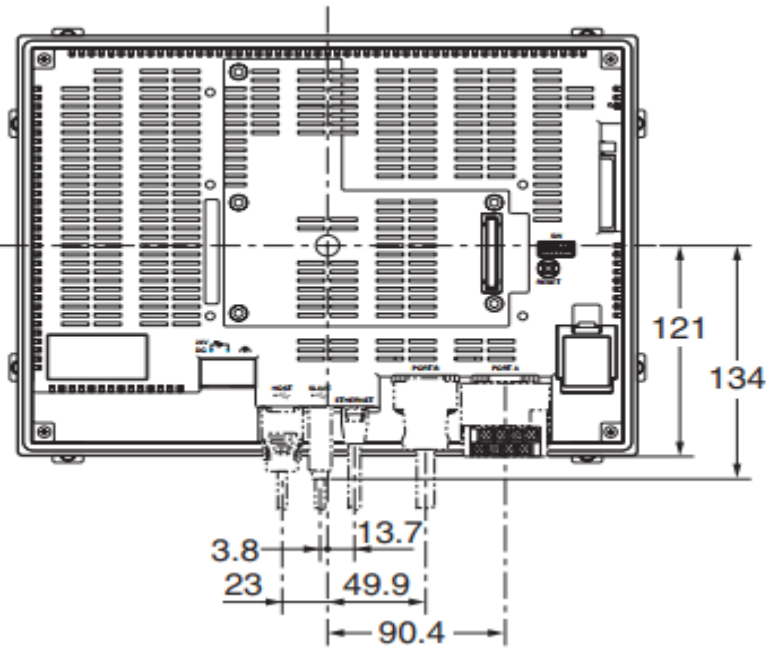
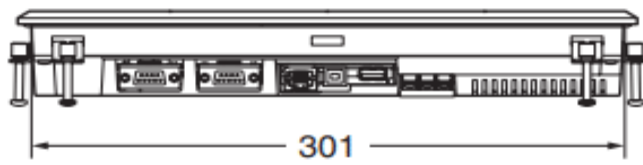
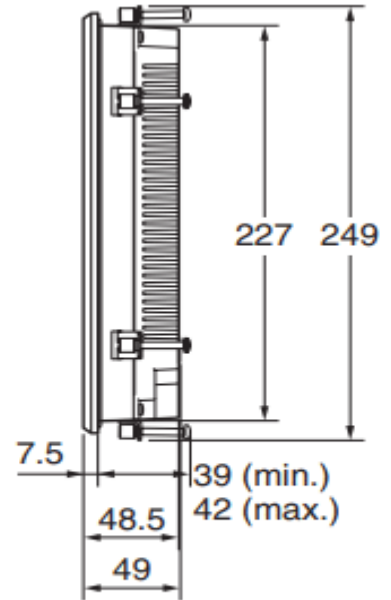
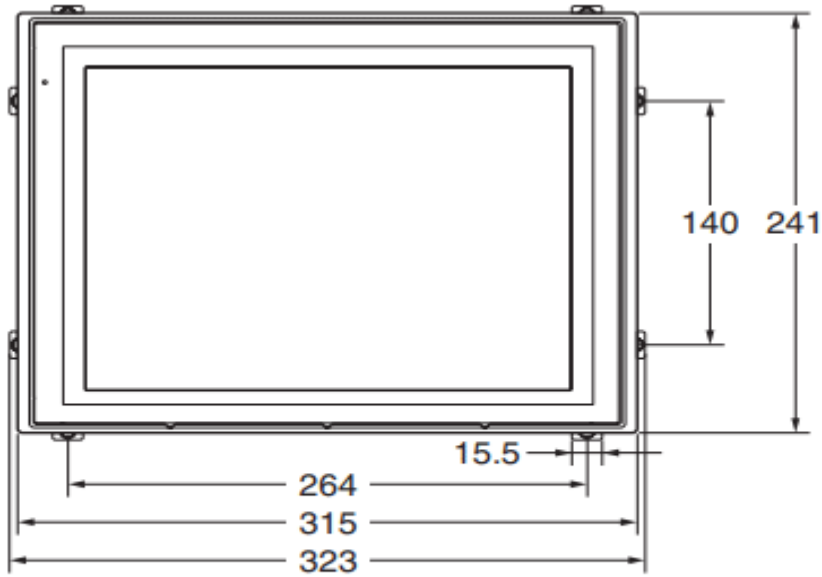


Display	Display	12.1 inch TFT Color
	Resolution	800 x 600
	Case color	Black
	Backlight Life Time	>50,000 hrs.
	Colors	256 color
Touch Panel	Type	Resistive Membrane
Memory	Internal Memory	60MB
	Memory Card	Yes (30/64/256/512 MB)
I/O Port	USB Host	USB 2.0 type A (connect Printer)
	USB Slave	USB 2.0 type B (connect CX-designer)
	Ethernet	N/A
	COM Port	COM A : RS232C (Host Link) COM B : RS232C (Host Link)
Power	Input Power	24±15% VDC
	Power Consumption	Max 25W
Specification	Battery Life	5 year
	Temperature	0 -50 độ C
	Weight	2.5 kg
HMI Software		CX – Designer (thuộc phần mềm CX-One)

Bản vẽ kích thước :



● Recommended Panel Cutout Dimensions

