

### Basic features

<b>Approval/Conformity</b>	CE CCC cULus WEEE
<b>Basic standard</b>	EN 61204
<b>Series</b>	Standard
<b>Short description</b>	Switching power supply
<b>Trademark</b>	Global
<b>Version</b>	DIN rail

### Electrical connection

<b>Connection</b>	0.25...2.5 mm <sup>2</sup>
<b>Interconnected operation type</b>	Series wiring: max. 2 devices Parallel wiring: not possible
<b>Short-circuit protection</b>	synchronizing

### Electrical data

<b>Derating</b>	-2.5 %/°C > +61 °C
<b>Display</b>	DC LOW DC ON
<b>Efficiency typ.</b>	77 %
<b>Hold-up time</b>	≥ 20 ms at 115 V AC ≥ 75 ms at 230 V AC
<b>Input fuse</b>	T 3.15 A
<b>Input voltage</b>	90...264 V AC 120...375 V DC
<b>Input/output insulation voltage</b>	3000 V AC
<b>Inrush current</b>	≤ 10 A at 115 V AC ≤ 18 A at 230 V AC
<b>Isolation resistance</b>	≥ 100 MOhm
<b>Load control</b>	±1 % single
<b>Output capacity max.</b>	18 W
<b>Output voltage</b>	24 VDC
<b>Output voltage, tolerance</b>	+1 %
<b>Protection class</b>	I
<b>Rated input current</b>	340 mA at 115 V AC 210 mA at 230 V AC
<b>Rated output current</b>	0.75 A
<b>Residual ripple max.</b>	50 mV
<b>Setting range</b>	22.5...28.5 V DC

Switching Power Supplies  
**BAE PS-XA-1W-24-007-001**  
Order Code: **BAE0001**

**BALLUFF**

Settling time	2 ms
Switching frequency	130000 Hz
Turn-on time max.	1 s
Voltage control	1 %
Working frequency	47...63 Hz

**Functional safety**

MTTF (40 °C)	87 a
--------------	------

**Material**

Housing material	Plastic
------------------	---------

**Environmental conditions**

Ambient temperature	-20...70 °C
Contamination scale	2
Cooling	Free convection
EN 60068-2-27, Shock	15 g, 11 ms, xyz-axis, 6 surfaces (3x)
EN 60068-2-6, Vibration	2 g, 10...500 Hz, xyz-axis, 60 min
IP rating	IP20
Over temperature	protected
Relative humidity	20...95 %, non-condensing
Storage temperature	-25...85 °C
Temperature coefficient max.	±0.03 %/K

**Mechanical data**

Dimension	40.5 x 124.5 x 116.6 mm
Mounting part	DIN rail mount
Weight	0.15 kg

**Remarks**

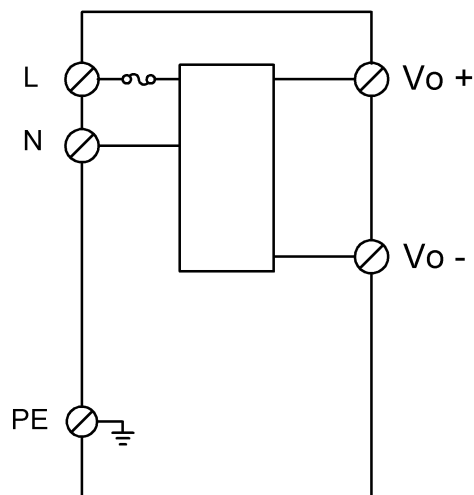
Values measured at +25 °C and full load.

In parallel operation the load must be in a range of 10%-90% of the maximum load. The cable routing for the load must be symmetrical.

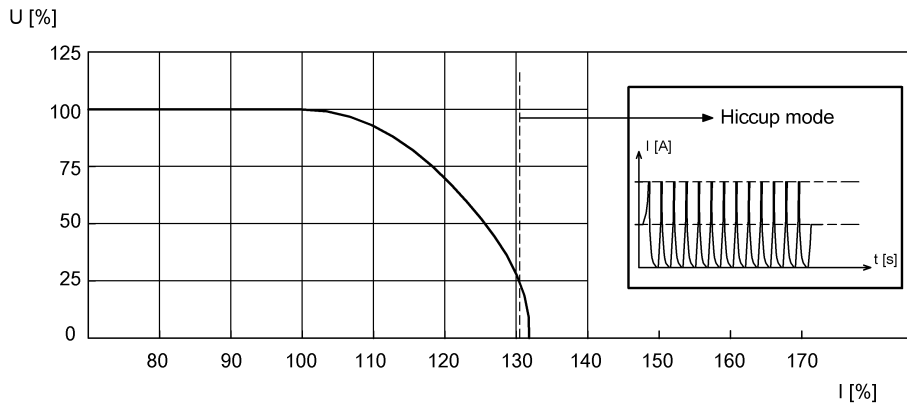
For more information about MTTF and B10d see MTTF / B10d Certificate

Indication of the MTTF- / B10d value does not represent a binding composition and/or life expectancy assurance; these are simply experiential values with no warranty implications. These declared values also do not extend the expiration period for defect claims or affect it in any way.

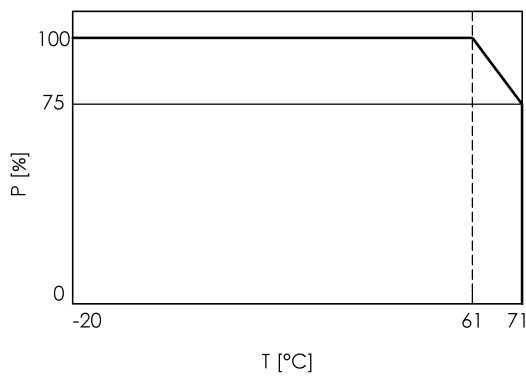
**Wiring Diagrams**



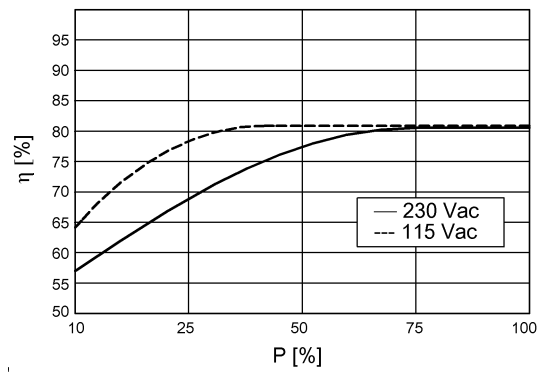
## Help Views



Output characteristic curve (typ.)



Derating curve



Efficiency (typ.)