

### Basic features

Approval/Conformity	CE CCC cULus WEEE
Basic standard	EN 61204
Series	Standard
Short description	Switching power supply
Trademark	Global
Version	DIN rail

### Electrical connection

Connection	0.25...4 mm <sup>2</sup>
Interconnected operation type	Series wiring: max. 2 devices Parallel wiring: max. 3 devices
Short-circuit protection	Forward characteristic

### Electrical data

Derating	-2.5 %/°C > +61 °C
Display	DC LOW DC ON
Efficiency typ.	89 %
Hold-up time	≥ 30 ms at 230 V AC ≥ 25 ms at 115 V AC
Input fuse	T 6.3 A
Input voltage	180...264 V AC 90...132 V AC 210...375 V DC
Input/output insulation voltage	3000 V AC
Inrush current	≤ 30 A at 115 V AC ≤ 60 A at 230 V AC
Isolation resistance	≥ 100 MOhm
Load control	±5 % parallel ±1 % single
Output capacity max.	240 W
Output voltage	24 VDC
Output voltage, tolerance	+1 %
Protection class	I
Rated input current	4.0 A at 115 V AC 1.55 A at 230 V AC
Rated output current	10 A

Switching Power Supplies  
**BAE PS-XA-1W-24-100-004**  
**Order Code: BAE0002**

**BALLUFF**

Residual ripple max.	100 mV
Setting range	22.5...28.5 V DC
Settling time	2 ms
Switching frequency	40000 Hz
Turn-on time max.	1 s
Voltage alarm max.	60 V DC/18 V AC
Voltage control	1 %
Working frequency	47...63 Hz

**Functional safety**

MTTF (40 °C)	55 a
--------------	------

**Material**

Housing material	Metal
------------------	-------

**Mechanical data**

Dimension	83.5 x 124.5 x 116.6 mm
Mounting part	DIN rail mount
Weight	1.38 kg

**Environmental conditions**

Ambient temperature	-40...70 °C
Contamination scale	2
Cooling	Free convection
EN 60068-2-27, Shock	15 g, 11 ms, xyz-axis, 6 surfaces (3x)
EN 60068-2-6, Vibration	2 g, 10...500 Hz, xyz-axis, 60 min
IP rating	IP20
Over temperature	protected
Relative humidity	20...95 %, non-condensing
Storage temperature	-40...85 °C
Temperature coefficient max.	±0.03 %/K

**Remarks**

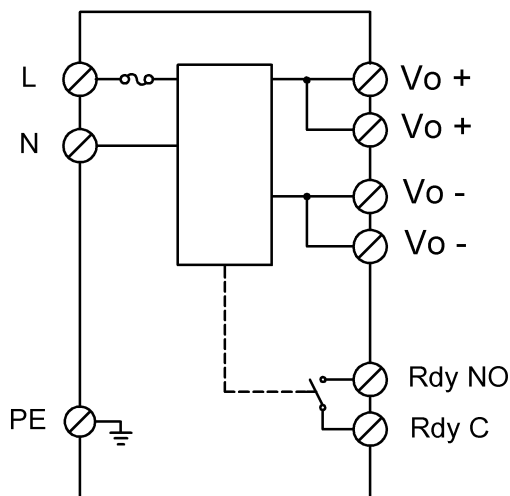
Values measured at +25 °C and full load.

In parallel operation the load must be in a range of 10%-90% of the maximum load. The cable routing for the load must be symmetrical.

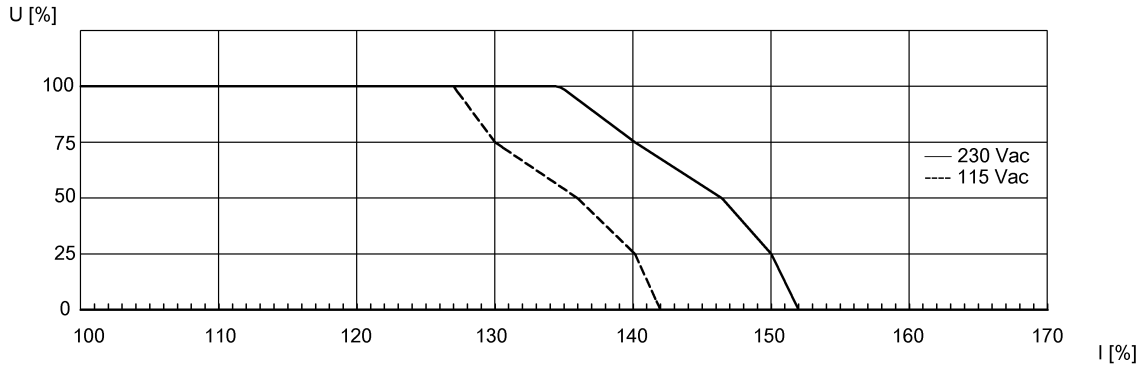
For more information about MTTF and B10d see MTTF / B10d Certificate

Indication of the MTTF- / B10d value does not represent a binding composition and/or life expectancy assurance; these are simply experiential values with no warranty implications. These declared values also do not extend the expiration period for defect claims or affect it in any way.

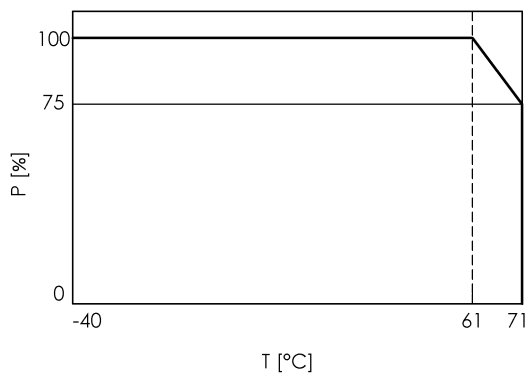
**Wiring Diagrams**



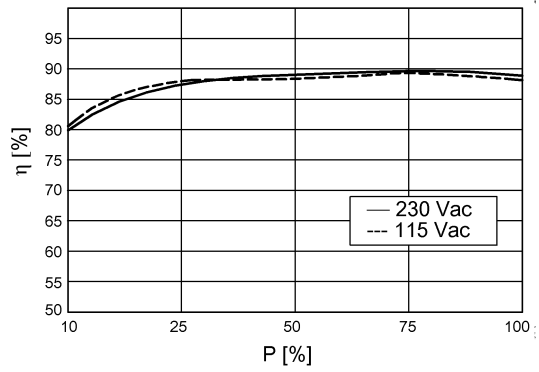
Help Views



Output characteristic curve (typ.)



Derating curve



Efficiency (typ.)