

### Basic features

Basic standard	EN 61204
Series	Standard
Short description	Switching power supply
Version	DIN rail

### Electrical connection

Connection	0.25...2.5 mm <sup>2</sup>
Short-circuit protection	Forward characteristic

### Electrical data

Derating	-2.5 %/°C > +61 °C
Display	DC LOW DC ON
Efficiency typ.	84 %
Input fuse	T 2 A
Input voltage	85...264 V AC 90...375 V DC
Input/output insulation voltage	3000 V AC
Isolation resistance	≥ 100 MOhm
Output capacity max.	30 W
Output voltage	12 VDC
Output voltage, tolerance	+1 %
Protection class	I
Rated output current	2.5 A
Residual ripple max.	50 mV
Setting range	11...14 V DC
Settling time	2 ms
Switching frequency	100000 Hz
Turn-on time max.	1 s
Voltage control	1 %
Working frequency	47...63 Hz

Switching Power Supplies  
**BAE PS-XA-1W-12-025-002**  
Order Code: **BAE0039**

# BALLUFF

### Environmental conditions

Ambient temperature	-40...70 °C
Contamination scale	2
Cooling	Free convection
IP rating	IP20
Over temperature	protected
Relative humidity	20...95 %, non-condensing
Storage temperature	-40...85 °C
Temperature coefficient max.	±0.03 %/K

### Functional safety

MTTF (40 °C)	73 a
--------------	------

### Material

Housing material	Plastic
------------------	---------

### Mechanical data

Dimension	40.5 x 90 x 114 mm
Weight	0.27 kg

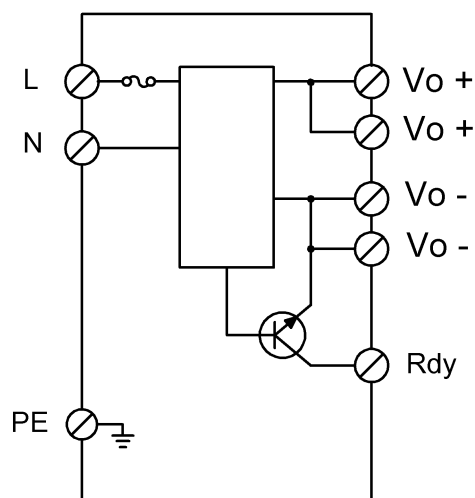
### Remarks

Values measured at +25 °C and full load.

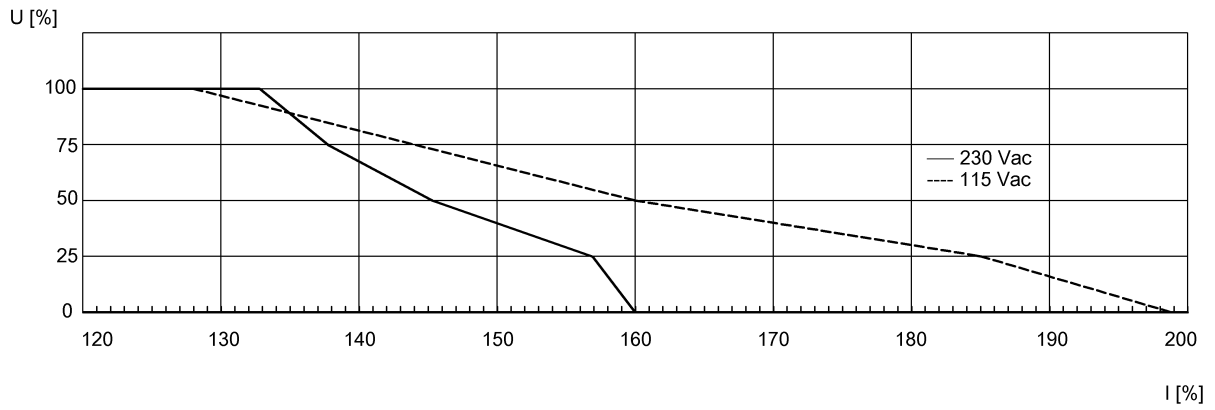
For more information about MTTF and B10d see MTTF / B10d Certificate

Indication of the MTTF- / B10d value does not represent a binding composition and/or life expectancy assurance; these are simply experiential values with no warranty implications. These declared values also do not extend the expiration period for defect claims or affect it in any way.

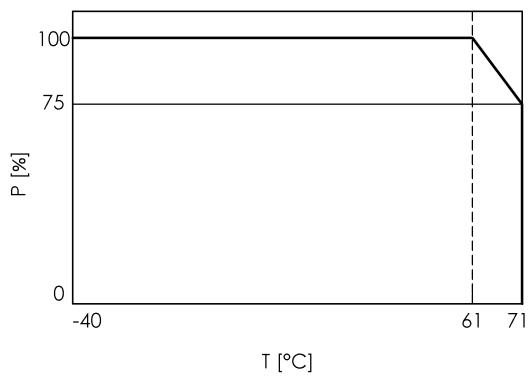
### Wiring Diagrams



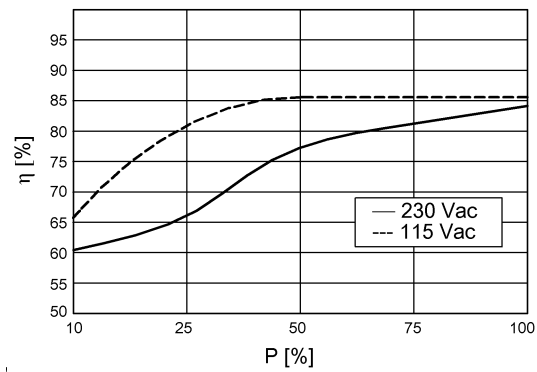
## Help Views



Output characteristic curve (typ.)



Derating curve



Efficiency (typ.)