

Basic features

Approval/Conformity	CE CCC cULus WEEE
Basic standard	EN 61204
Series	Standard
Short description	Switching power supply
Version	DIN rail

Electrical connection

Connection	0.25...2.5 mm ²
Interconnected operation type	Series wiring: max. 2 devices Parallel wiring: not possible
Short-circuit protection	Forward characteristic

Electrical data

Derating	-2.5 %/°C > +61 °C
Display	DC LOW DC ON
Efficiency typ.	86 %
Hold-up time	≥ 20 ms at 115 V AC ≥ 30 ms at 230 V AC
Input fuse	T 2 A
Input voltage	85...264 V AC 90...375 V DC
Input/output insulation voltage	3000 V AC
Inrush current	≤ 20 A at 115 V AC ≤ 40 A at 230 V AC
Isolation resistance	≥ 100 MOhm
Load control	±1 % single
Output capacity max.	60 W
Output voltage	12 VDC
Output voltage, tolerance	+1 %
Protection class	I
Rated input current	1.1 A at 115 V AC 600 mA at 230 V AC
Rated output current	5 A
Residual ripple max.	50 mV
Setting range	11...14 V DC

Switching Power Supplies
BAE PS-XA-1W-12-050-002
Order Code: BAE003E

BALLUFF

Settling time	2 ms
Switching frequency	80000 Hz
Turn-on time max.	1 s
Voltage control	1 %
Working frequency	47...63 Hz

Functional safety

MTTF (40 °C)	63 a
--------------	------

Material

Housing material	Plastic
------------------	---------

Environmental conditions

Ambient temperature	-40...70 °C
Contamination scale	2
Cooling	Free convection
IP rating	IP20
Over temperature	protected
Relative humidity	20...95 %, non-condensing
Storage temperature	-40...85 °C
Temperature coefficient max.	±0.03 %/K

Mechanical data

Dimension	40.5 x 90 x 114 mm
Mounting part	DIN rail mount
Weight	0.34 kg

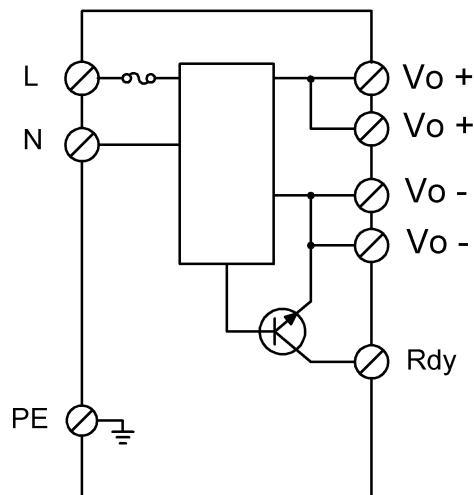
Remarks

Values measured at +25 °C and full load.

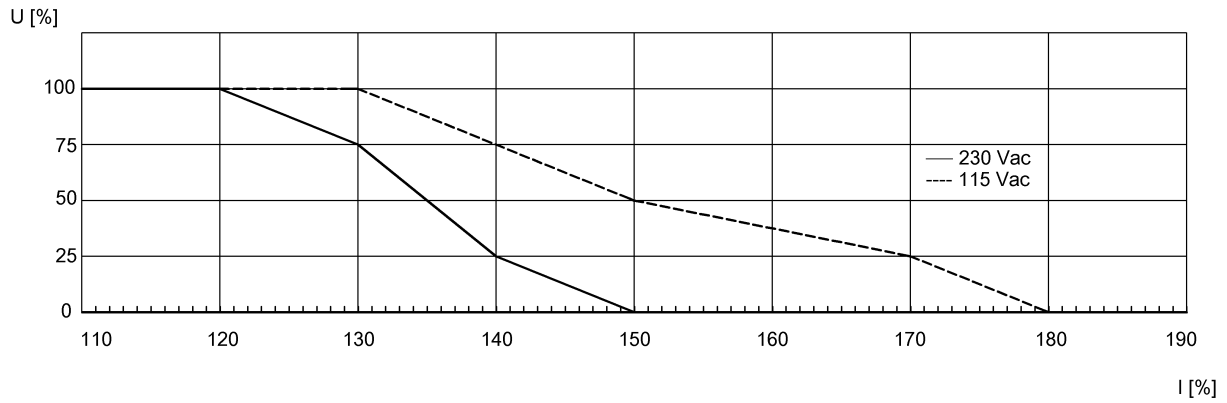
For more information about MTTF and B10d see MTTF / B10d Certificate

Indication of the MTTF- / B10d value does not represent a binding composition and/or life expectancy assurance; these are simply experiential values with no warranty implications. These declared values also do not extend the expiration period for defect claims or affect it in any way.

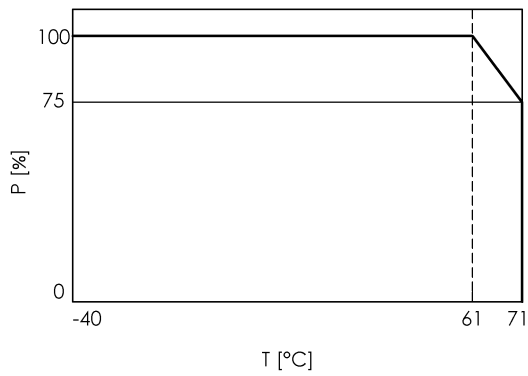
Wiring Diagrams



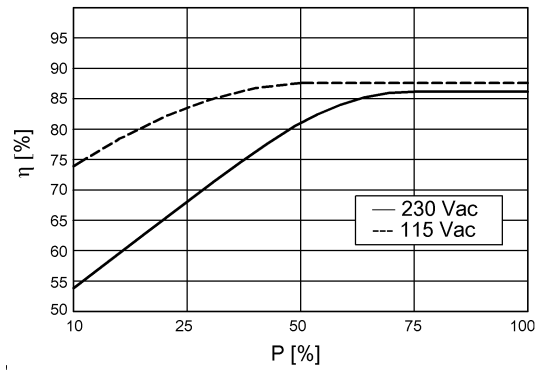
Help Views



Output characteristic curve (typ.)



Derating curve



Efficiency (typ.)