

## Basic features

Basic standard	EN 61204
Series	Standard
Short description	Switching power supply
Version	DIN rail

## Electrical connection

Connection	0.25...4 mm <sup>2</sup>
Short-circuit protection	Forward characteristic

## Electrical data

Derating	-2.5 %/°C > +61 °C
Display	DC LOW DC ON
Efficiency typ.	87 %
Input fuse	T 10 A
Input voltage	180...264 V AC 210...375 V DC 90...132 V AC
Input/output insulation voltage	3000 V AC
Isolation resistance	≥ 100 MOhm
Output capacity max.	120 W
Output voltage	48 VDC
Output voltage, tolerance	+1 %
Protection class	I
Rated output current	2.5 A
Residual ripple max.	50 mV
Setting range	47...55 V DC
Settling time	2 ms
Switching frequency	55000 Hz
Turn-on time max.	1 s
Voltage control	1 %
Working frequency	47...63 Hz

Switching Power Supplies  
**BAE PS-XA-1W-48-025-003**  
Order Code: **BAE003K**

**BALLUFF**

**Environmental conditions**

Ambient temperature	-35...70 °C
Contamination scale	2
Cooling	Free convection
IP rating	IP20
Over temperature	protected
Relative humidity	20...95 %, non-condensing
Storage temperature	-40...85 °C
Temperature coefficient max.	±0.03 %/K

**Functional safety**

MTTF (40 °C)	68 a
--------------	------

**Material**

Housing material	Metal
------------------	-------

**Mechanical data**

Dimension	175.5 x 124.5 x 116.6 mm
Weight	0.92 kg

**Remarks**

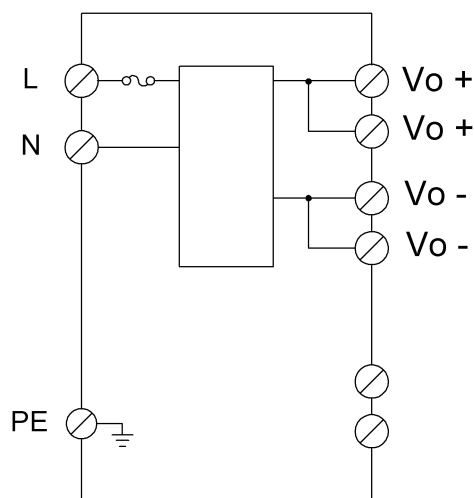
Values measured at +25 °C and full load.

In parallel operation the load must be in a range of 10%-90% of the maximum load. The cable routing for the load must be symmetrical.

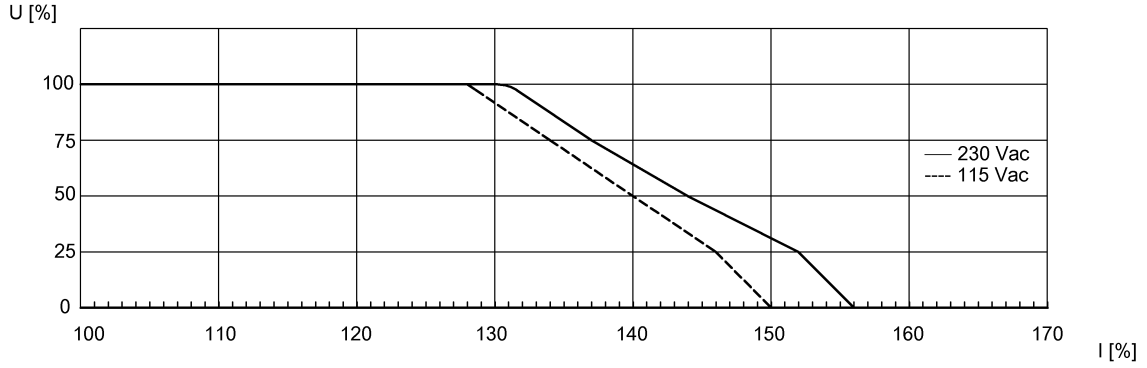
For more information about MTTF and B10d see MTTF / B10d Certificate

Indication of the MTTF- / B10d value does not represent a binding composition and/or life expectancy assurance; these are simply experiential values with no warranty implications. These declared values also do not extend the expiration period for defect claims or affect it in any way.

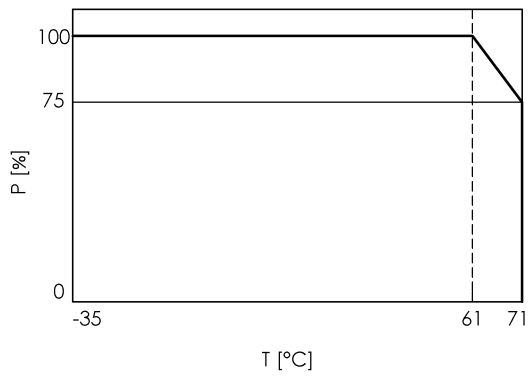
**Wiring Diagrams**



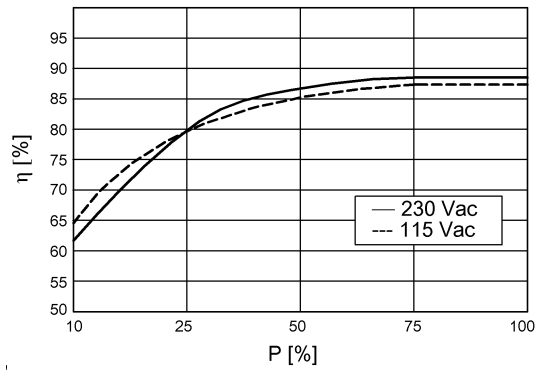
Help Views



Output characteristic curve (typ.)



Derating curve



Efficiency (typ.)