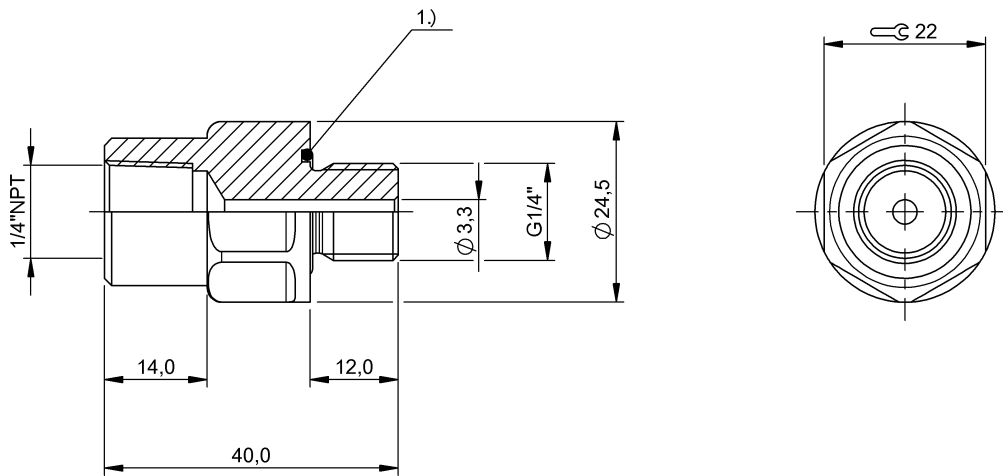


Mechanical Accessories  
**BAM AD-SP-011-1G4/1N4-4**  
 Order Code: BAM01TR

**BALLUFF**



1) O-ring

**Basic features**

<b>Principle of operation</b>	Adapters in general
<b>Scope of delivery</b>	Adapter O-ring $\varnothing 14.0 \times 1.5$ , FPM 90
<b>Use</b>	for pressure sensors with G1/4" inside thread

**Material**

<b>Material</b>	1.4301 stainless steel
-----------------	------------------------

**Mechanical data**

<b>Process connection</b>	NPT 1/4" inner
---------------------------	----------------