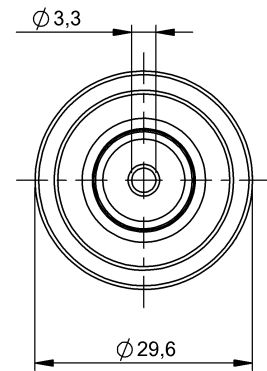
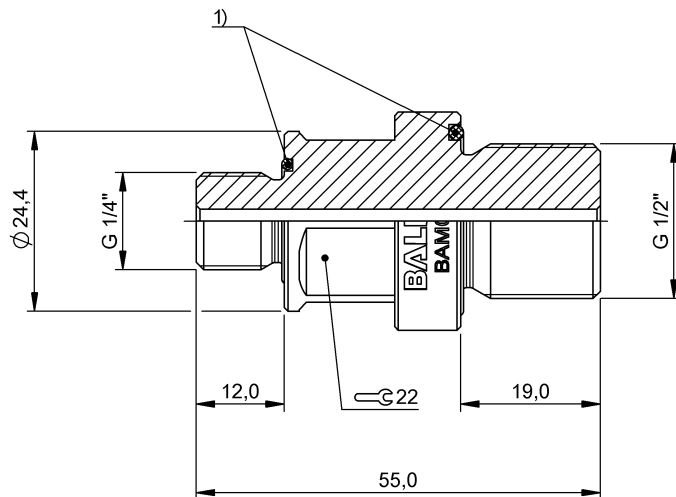


Mechanical Accessories
BAM AD-SP-008-1G4/1G2-4
Order Code: BAM01UJ

BALLUFF



1) O-ring

Basic features

Principle of operation	Adapters in general
Scope of delivery	Adapter O-ring $\varnothing 14.0 \times 1.5$, FPM 90 O-ring $\varnothing 22 \times 2.0$, FPM 70
Use	for pressure sensors with $G\ 1/4''$ inside thread

Material

Material	1.4301 stainless steel
-----------------	------------------------

Mechanical data

Process connection	$G\ 1/2''$ outer
---------------------------	------------------