

Basic features

Basic standard	EN 61204
Series	Standard
Short description	Switching power supply
Trademark	Global
Version	DIN rail

Electrical connection

Connection	0.25...4 mm ²
Short-circuit protection	synchronizing

Electrical data

Derating	-2.5 %/°C > +61 °C
Display	DC LOW DC ON
Efficiency typ.	90 %
Input fuse	T 2 A (3x)
Input voltage	340...575 V AC 480...820 V DC
Input/output insulation voltage	3000 V AC
Isolation resistance	≥ 100 MOhm
Output capacity max.	240 W
Output voltage	24 VDC
Output voltage, tolerance	+1 %
Protection class	I
Rated output current	10 A
Residual ripple max.	100 mV
Setting range	22.5...28.5 V DC
Settling time	2 ms
Switching frequency	25000 Hz
Turn-on time max.	1 s
Voltage alarm max.	60 V DC/18 V AC
Voltage control	1 %
Working frequency	47...63 Hz

Environmental conditions

Ambient temperature	-40...70 °C
Contamination scale	2
Cooling	Free convection
IP rating	IP20
Over temperature	protected
Relative humidity	20...95 %, non-condensing
Storage temperature	-40...85 °C
Temperature coefficient max.	±0.03 %/K

Functional safety

MTTF (40 °C)	59 a
--------------	------

Material

Housing material	Metal
------------------	-------

Mechanical data

Dimension	89 x 124 x 111.9 mm
Weight	1.10 kg

Remarks

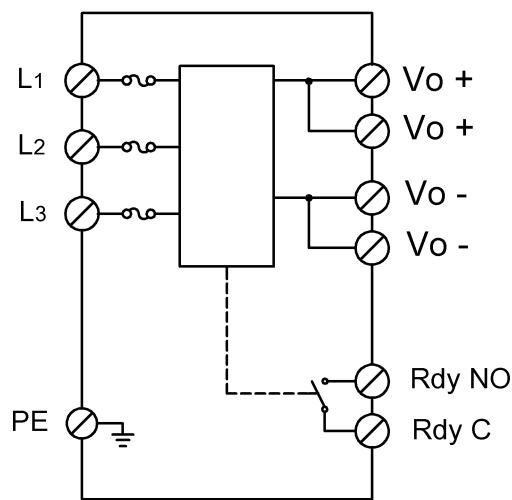
Values measured at +25 °C and full load.

In parallel operation the load must be in a range of 10%-90% of the maximum load. The cable routing for the load must be symmetrical.

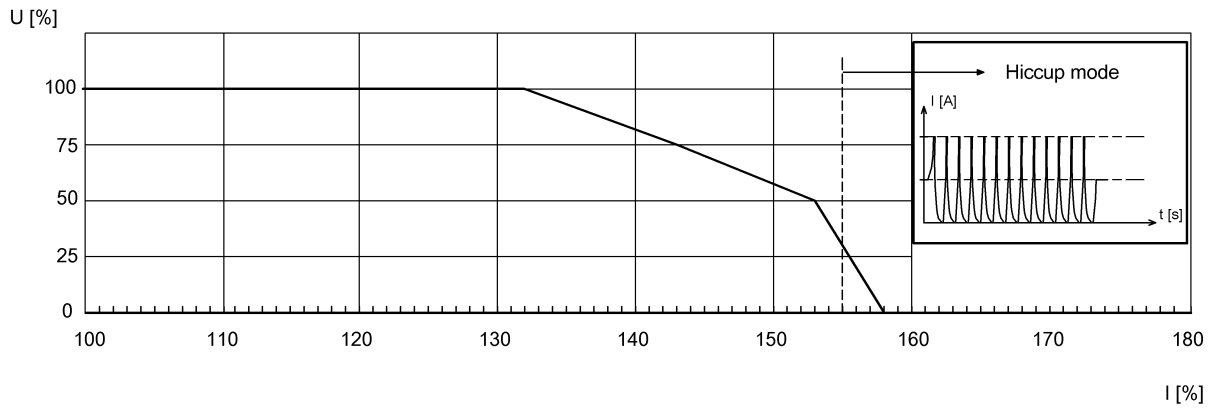
For more information about MTTF and B10d see MTTF / B10d Certificate

Indication of the MTTF- / B10d value does not represent a binding composition and/or life expectancy assurance; these are simply experiential values with no warranty implications. These declared values also do not extend the expiration period for defect claims or affect it in any way.

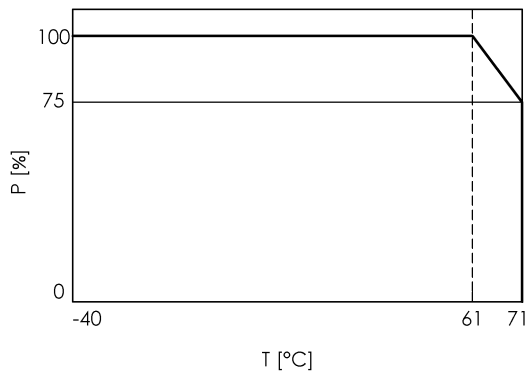
Wiring Diagrams



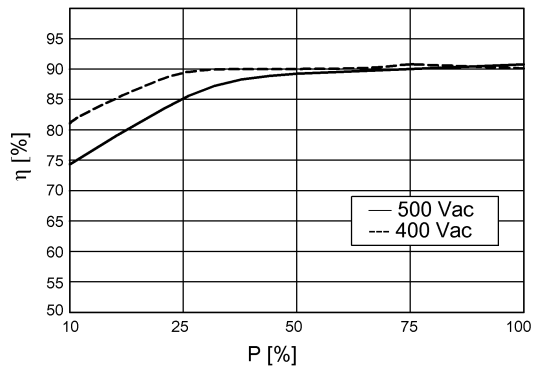
Help Views



Output characteristic curve (typ.)



Derating curve



Efficiency (typ.)