

### Basic features

Basic standard	EN 61204
Series	Standard
Short description	Switching power supply
Trademark	Global
Version	DIN rail

### Electrical connection

Connection	0.25...4 mm <sup>2</sup>
Short-circuit protection	Forward characteristic

### Electrical data

Derating	-2.5 %/°C > +61 °C
Display	DC LOW DC ON
Efficiency typ.	85 %
Input fuse	T 3.15 A
Input voltage	90...132 V AC 180...264 V AC 210...375 V DC
Input/output insulation voltage	3000 V AC
Isolation resistance	≥ 100 MOhm
Output capacity max.	91.2 W
Output voltage	24 VDC
Output voltage, tolerance	+1 %
Protection class	I
Rated output current	3.8 A
Residual ripple max.	50 mV
Setting range	22.5...24.5 V DC
Settling time	2 ms
Switching frequency	55000 Hz
Turn-on time max.	1 s
Voltage alarm max.	60 V DC/18 V AC
Voltage control	1 %

Switching Power Supplies  
**BAE PS-XA-1W-24-038-003**  
**Order Code: BAE003J**



Working frequency 47...63 Hz

**Environmental conditions**

Ambient temperature	-35...70 °C
Contamination scale	2
Cooling	Free convection
IP rating	IP20
Over temperature	protected
Relative humidity	20...95 %, non-condensing
Storage temperature	-40...85 °C
Temperature coefficient max.	±0.03 %/K

**Functional safety**

MTTF (40 °C) 75 a

**Material**

Housing material Metal

**Mechanical data**

Dimension 64 x 124.5 x 116.6 mm  
 Weight 0.92 kg

**Remarks**

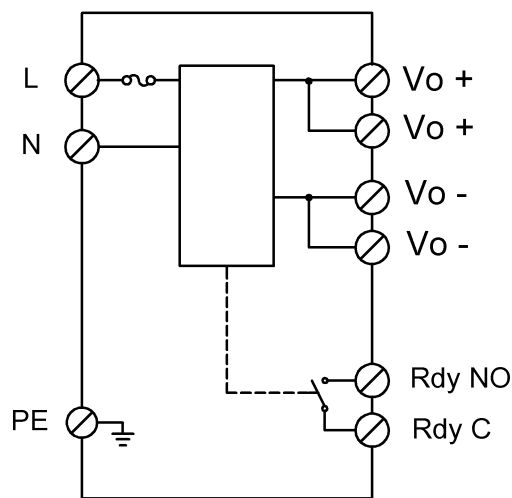
Values measured at +25 °C and full load.

In parallel operation the load must be in a range of 10%-90% of the maximum load. The cable routing for the load must be symmetrical.

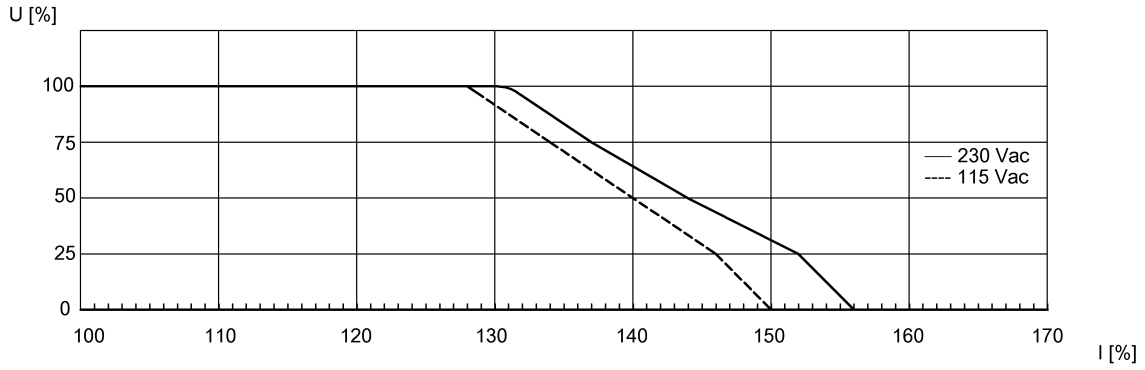
For more information about MTTF and B10d see MTTF / B10d Certificate

Indication of the MTTF- / B10d value does not represent a binding composition and/or life expectancy assurance; these are simply experiential values with no warranty implications. These declared values also do not extend the expiration period for defect claims or affect it in any way.

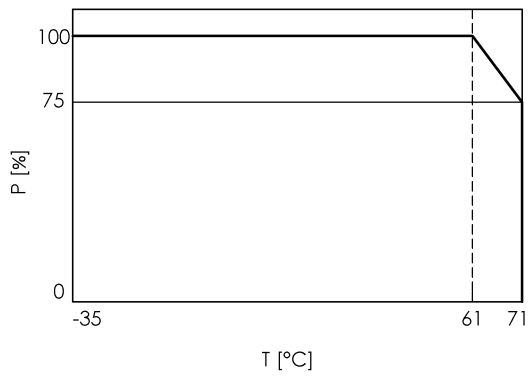
**Wiring Diagrams**



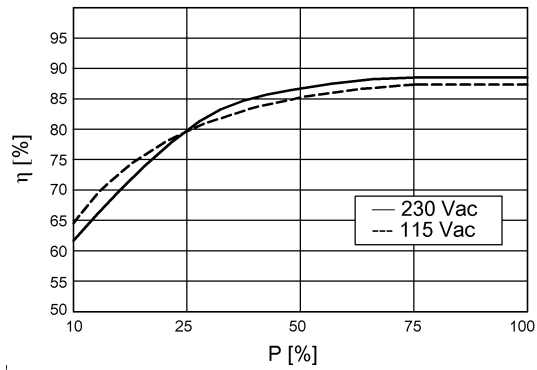
Help Views



Output characteristic curve (typ.)



Derating curve



Efficiency (typ.)