

Basic features

Approval/Conformity	CE CCC cULus WEEE
Basic standard	EN 61204
Series	Standard
Short description	Switching power supply
Version	DIN rail

Electrical connection

Connection	0.25...4 mm ²
Interconnected operation type	Parallel wiring: max. 3 devices Adjacent installation: not allowed
Short-circuit protection	Forward characteristic

Electrical data

Derating	-2.5 %/°C > +61 °C
Display	DC LOW DC ON
Efficiency typ.	90 %
Hold-up time	≥ 25 ms at 115 V AC ≥ 30 ms at 230 V AC
Input fuse	T 10 A
Input voltage	180...264 V AC 210...375 V DC 90...132 V AC
Input/output insulation voltage	3000 V AC
Inrush current	≤ 30 A at 115 V AC ≤ 60 A at 230 V AC
Isolation resistance	≥ 100 MOhm
Load control	±5 % parallel ±1 % single
Output capacity max.	240 W
Output voltage	48 VDC
Output voltage, tolerance	+1 %
Protection class	I
Rated input current	1.55 A at 230 V AC 4.0 A at 115 V AC
Rated output current	5 A

Switching Power Supplies
BAE PS-XA-1W-48-050-004
Order Code: BAE003L

BALLUFF

Residual ripple max.	100 mV
Setting range	47...55 V DC
Settling time	2 ms
Switching frequency	40000 Hz
Turn-on time max.	1 s
Voltage control	1 %
Working frequency	47...63 Hz

Functional safety

MTTF (40 °C)	65 a
--------------	------

Material

Housing material	Metal
------------------	-------

Mechanical data

Dimension	175.5 x 124.5 x 116.6 mm
Mounting part	DIN rail mount
Weight	1.38 kg

Environmental conditions

Ambient temperature	-40...70 °C
Contamination scale	2
Cooling	Free convection
IP rating	IP20
Over temperature	protected
Relative humidity	20...95 %, non-condensing
Storage temperature	-40...85 °C
Temperature coefficient max.	±0.03 %/K

Remarks

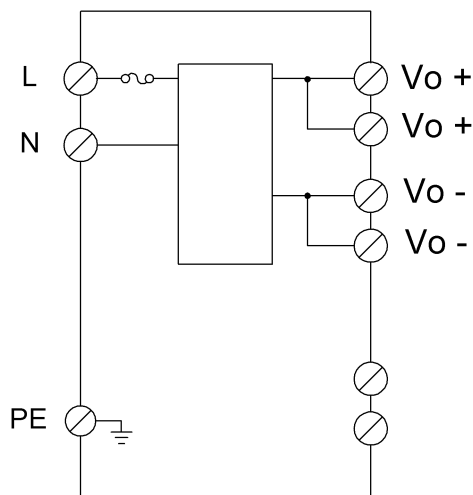
Values measured at +25 °C and full load.

In parallel operation the load must be in a range of 10%-90% of the maximum load. The cable routing for the load must be symmetrical.

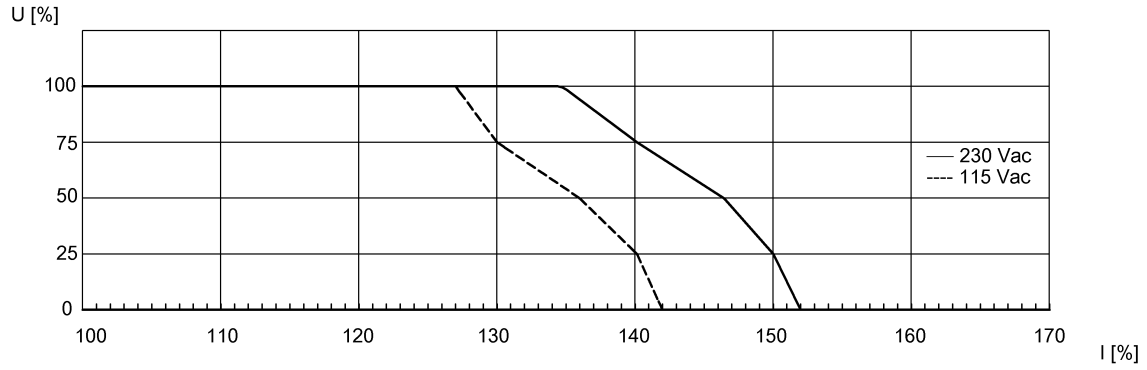
For more information about MTTF and B10d see MTTF / B10d Certificate

Indication of the MTTF- / B10d value does not represent a binding composition and/or life expectancy assurance; these are simply experiential values with no warranty implications. These declared values also do not extend the expiration period for defect claims or affect it in any way.

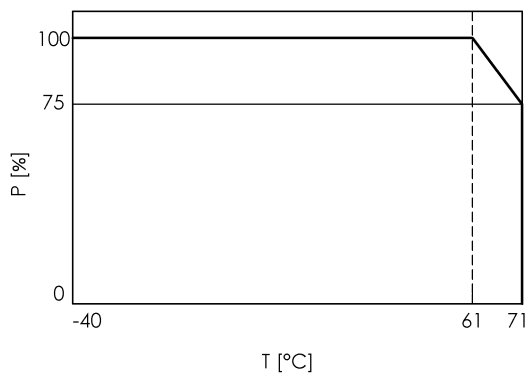
Wiring Diagrams



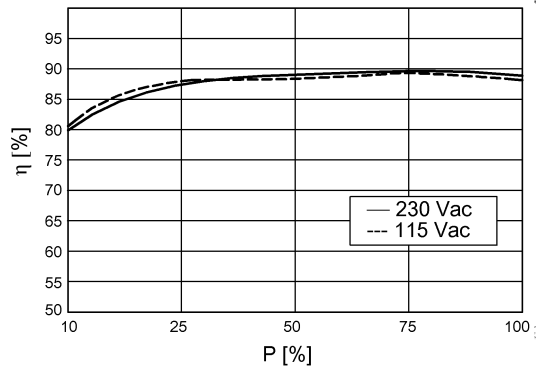
Help Views



Output characteristic curve (typ.)



Derating curve



Efficiency (typ.)