

**IC693MDL645**

**New In Stock!**

**GE Fanuc**

<http://www.pdfsupply.com/automation/ge-fanuc/series-90-30/IC693MDL645>

**Series 90-30**

**1-919-535-3180**

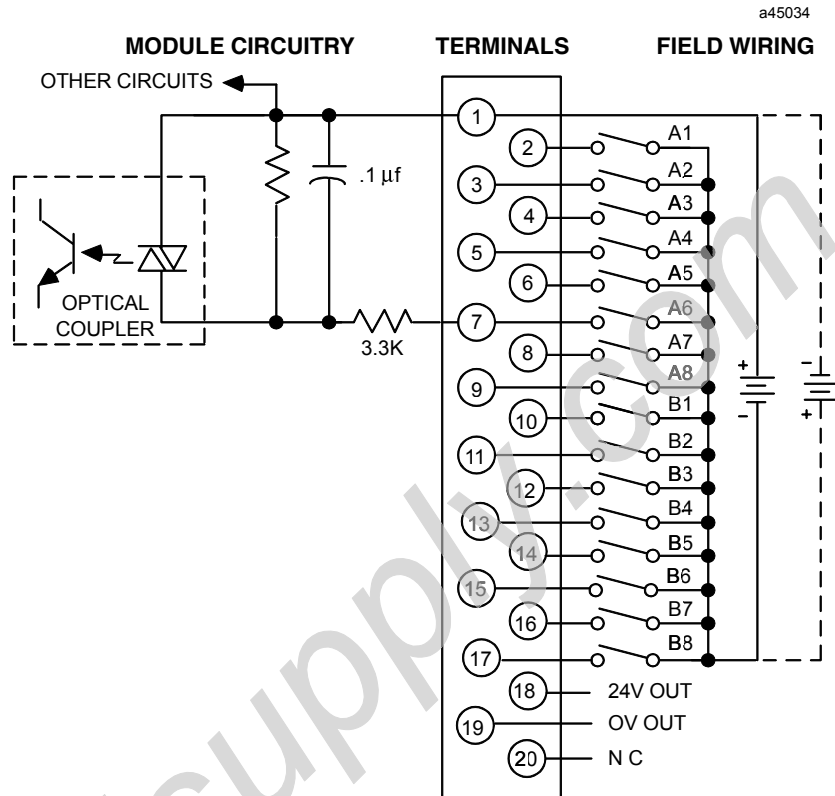
In Stock! IC693MDL 24 Volts dc Input, Neg/Pos Logic IC693M  
IC693MD IC693MDL

[www.pdfsupply.com](http://www.pdfsupply.com)

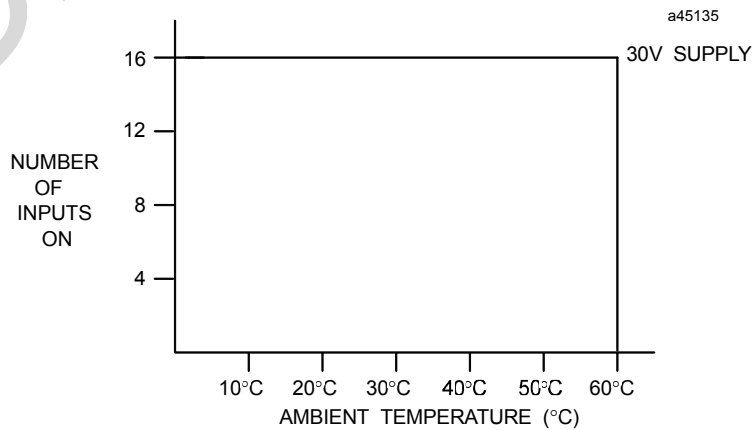
Email: [sales@pdfsupply.com](mailto:sales@pdfsupply.com)

### IC693MDL645 Input Module Field Wiring Information

The following figure provides wiring information for connecting user supplied input devices and power source to the 24 volt DC positive/negative logic input module.



**Figure 6-11. Field Wiring - 24 Volt DC Positive/Negative Logic Input Module - IC693MDL645**



**Figure 6-12. Input Points vs. Temperature for IC693MDL645**