

# Product data sheet

Specifications



advanced touchscreen panel,  
Harmony GTO, 320 x 240pixels  
QVGA, 3.5inch TFT, 64MB

HMIGTO1300

Product availability: Stock - Normally stocked in distribution facility

**Price\*: 599.81 USD**

## Main

Range Of Product	Harmony GTO
Product Or Component Type	Advanced touchscreen panel
Display Colour	65536 colours
Display Size	3.5 inch
Supply	External source
Control Button Type	6 operation defined using Vijeo Designer push-button key F1...F6
Operating System	Harmony
Battery Type	Lithium internal RAM 100 days 5 day(s) 10 year(s)

## Complementary

Terminal Type	Touchscreen display
Display Type	Backlit colour TFT LCD
Display Resolution	320 x 240 pixels QVGA
Touch Sensitive Zone	1024 x 1024
Touch Panel	Resistive film, 1000000 cycles
Backlight Lifespan	50000 hours white 77 °F (25 °C)
Brightness	16 levels by touch panel 16 levels by software
Character Font	Chinese (simplified Chinese) ASCII (European characters) Japanese (ANK, Kanji) Korean Taiwanese (traditional Chinese)
[Us] Rated Supply Voltage	24 V DC
Supply Voltage Limits	19.2...28.8 V
Inrush Current	30 A
Maximum Power Consumption In W	5.2 W when power is not supplied to external devices 4.2 W when backlight is OFF 4.3 W when backlight is dimmed 9.6 W
Local Signalling	Status LED green, steady offline Status LED green, steady operating Status LED orange, flashing software starting up Status LED red, steady power supply (ON) Status LED clear, faded power supply (OFF)
Software Designation	Vijeo Designer configuration software >= V6.1

Price is "List Price" and may be subject to a trade discount – check with your local distributor or retailer for actual price.

<b>Memory Description</b>	Flash EPROM, 64 MB
<b>Data Backed Up</b>	128 kB internal RAM SRAM)
<b>Downloadable Protocols</b>	Schneider Electric Modicon Modbus Schneider Electric Modicon Uni-TE Schneider Electric Modicon Modbus Plus Schneider Electric Modicon FIPWAY Mitsubishi Melsec third party protocols Omron Sysmac third party protocols Rockwell Automation Allen-Bradley third party protocols Siemens Simatic third party protocols
<b>Integrated Connection Type</b>	COM1 serial link SUB-D 9 RS232C 2400...115200 bps COM2 serial link RJ45 RS485 2400...115200 bps COM2 serial link RJ45 RS485 187.5 kbps Siemens MPI USB 2.0 type A USB 2.0 type mini B
<b>Product Mounting</b>	Flush mounting
<b>Fixing Mode</b>	by 4 screw clamps
<b>Front Material</b>	PPT
<b>Enclosure Material</b>	PPT
<b>Type Of Cooling</b>	Natural convection
<b>Width</b>	5.20 in (132 mm)
<b>Height</b>	4.17 in (106 mm)
<b>Depth</b>	1.65 in (42 mm)
<b>Net Weight</b>	0.88 lb(US) (0.4 kg)

## Environment

<b>Standards</b>	UL 508 IEC 61131-2 IEC 61000-6-2
<b>Product Certifications</b>	C-tick cULus CE KCC UKCA UKEX
<b>Ambient Air Temperature For Operation</b>	32...122 °F (0...50 °C)
<b>Ambient Air Temperature For Storage</b>	-4...140 °F (-20...60 °C)
<b>Relative Humidity</b>	10...90 % without condensation
<b>Operating Altitude</b>	< 6561.68 ft (2000 m)
<b>Ip Degree Of Protection</b>	IP20 IEC 60529 rear panel) IP65 IEC 60529 front panel)
<b>Nema Degree Of Protection</b>	NEMA 4X front panel (indoor use)
<b>Shock Resistance</b>	147 m/s <sup>2</sup> 3 chocks in each direction X, Y and Z IEC 61131-2
<b>Vibration Resistance</b>	9.8 m/s <sup>2</sup> 9...150 Hz) - X, Y, Z directions for 10 cycles (approx. 100 min) - IEC 61131-2 3.5 mm 5...9 Hz) - X, Y, Z directions for 10 cycles (approx. 100 min) - IEC 61131-2
<b>Resistance To Electrostatic Discharge</b>	6 kV contact discharge IEC 61000-4-2 level 3

## Ordering and shipping details

<b>Category</b>	US10MC222569
<b>Discount Schedule</b>	0MC2

Gtin	3595864150215
Returnability	Yes
Country Of Origin	ID

## Packing Units

Unit Type Of Package 1	PCE
Number Of Units In Package 1	1
Package 1 Height	4.92 in (12.500 cm)
Package 1 Width	7.17 in (18.200 cm)
Package 1 Length	8.46 in (21.500 cm)
Package 1 Weight	24.94 oz (707.000 g)
Unit Type Of Package 2	S03
Number Of Units In Package 2	4
Package 2 Height	11.81 in (30.000 cm)
Package 2 Width	11.81 in (30.000 cm)
Package 2 Length	15.75 in (40.000 cm)
Package 2 Weight	8.16 lb(US) (3.700 kg)

## Contractual warranty

Warranty	18 months
----------	-----------

## Sustainability

**Green Premium™ label** is Schneider Electric's commitment to delivering products with best-in-class environmental performance. Green Premium promises compliance with the latest regulations, transparency on environmental impacts, as well as circular and low-CO<sub>2</sub> products.

**Guide to assessing product sustainability** is a white paper that clarifies global eco-label standards and how to interpret environmental declarations.

[Learn more about Green Premium >](#)

[Guide to assess a product's sustainability >](#)



Transparency RoHS/REACH

## Well-being performance

Reach Free Of Svhc

Toxic Heavy Metal Free

Mercury Free

Rohs Exemption Information Yes

## Certifications & Standards

**Reach Regulation**

[REACH Declaration](#)

**Eu Rohs Directive**

Pro-active compliance (Product out of EU RoHS legal scope)

[EU RoHS Declaration](#)

**China Rohs Regulation**

[China RoHS declaration](#)

**Environmental Disclosure**

[Product Environmental Profile](#)

**Weee**

The product must be disposed on European Union markets following specific waste collection and never end up in rubbish bins.

**Circularity Profile**

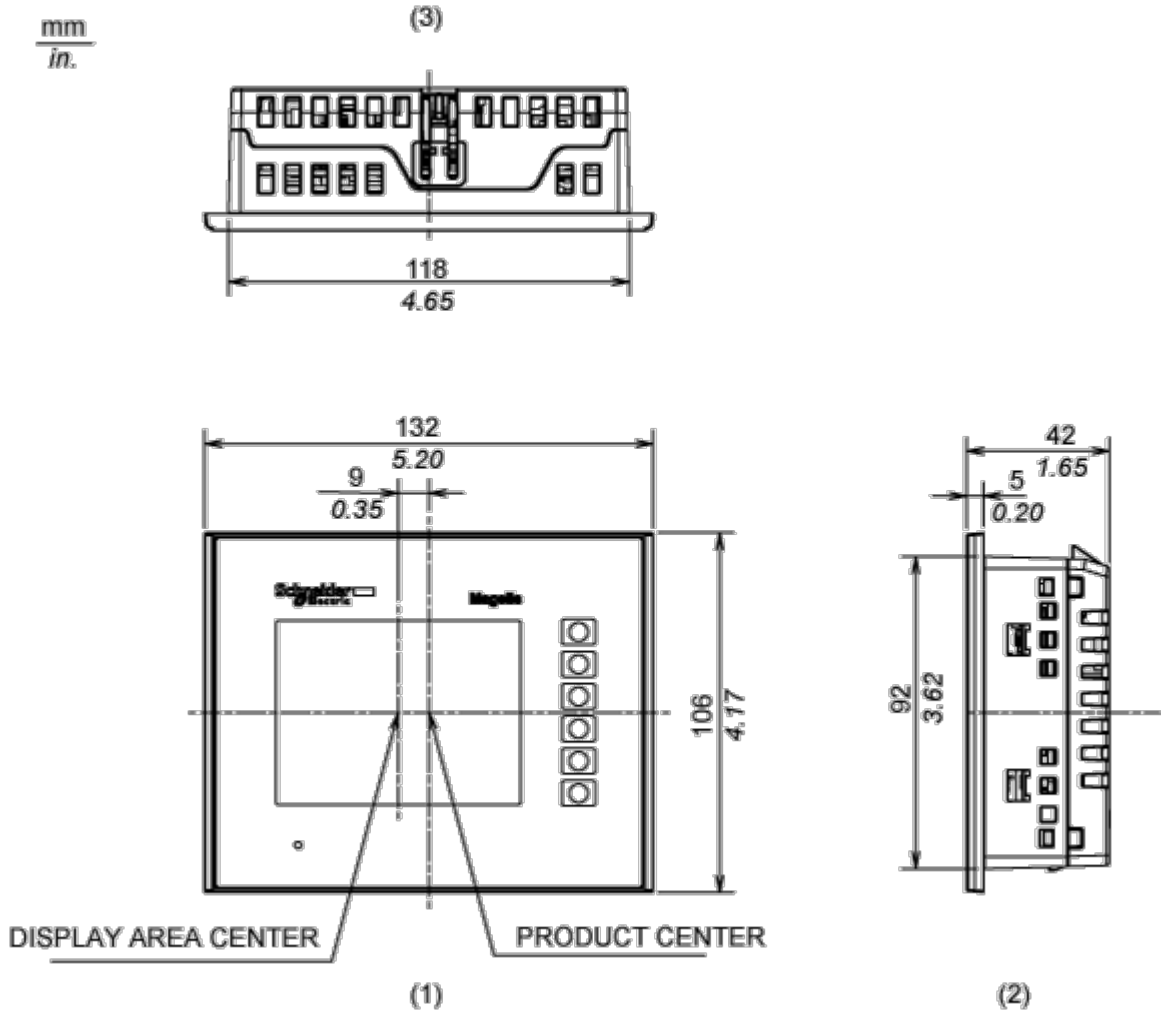
[End of Life Information](#)

**California Proposition 65**

WARNING: This product can expose you to chemicals including: Lead and lead compounds, which is known to the State of California to cause cancer and birth defects or other reproductive harm. For more information go to [www.P65Warnings.ca.gov](http://www.P65Warnings.ca.gov)

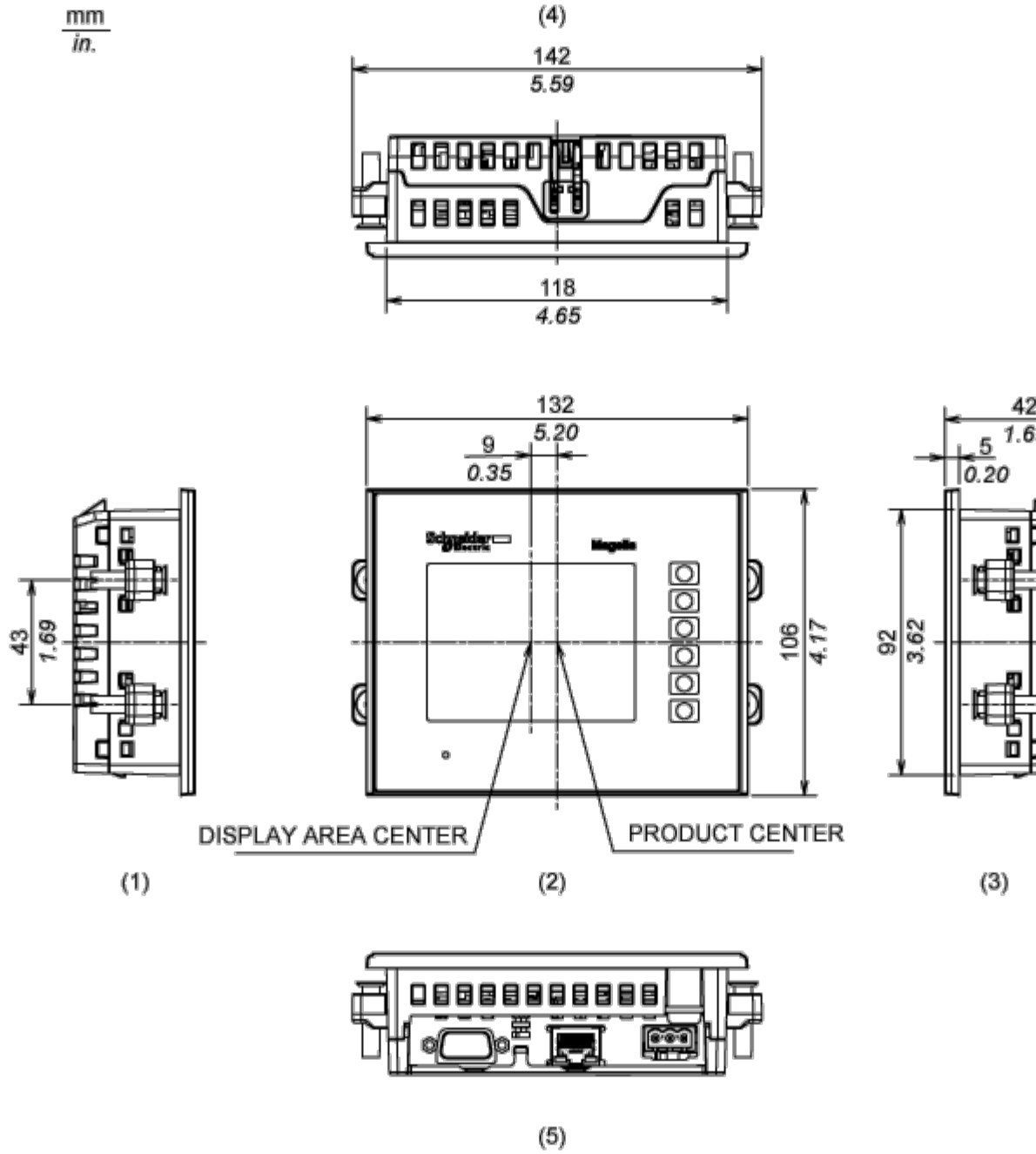
Dimensions

External Dimensions



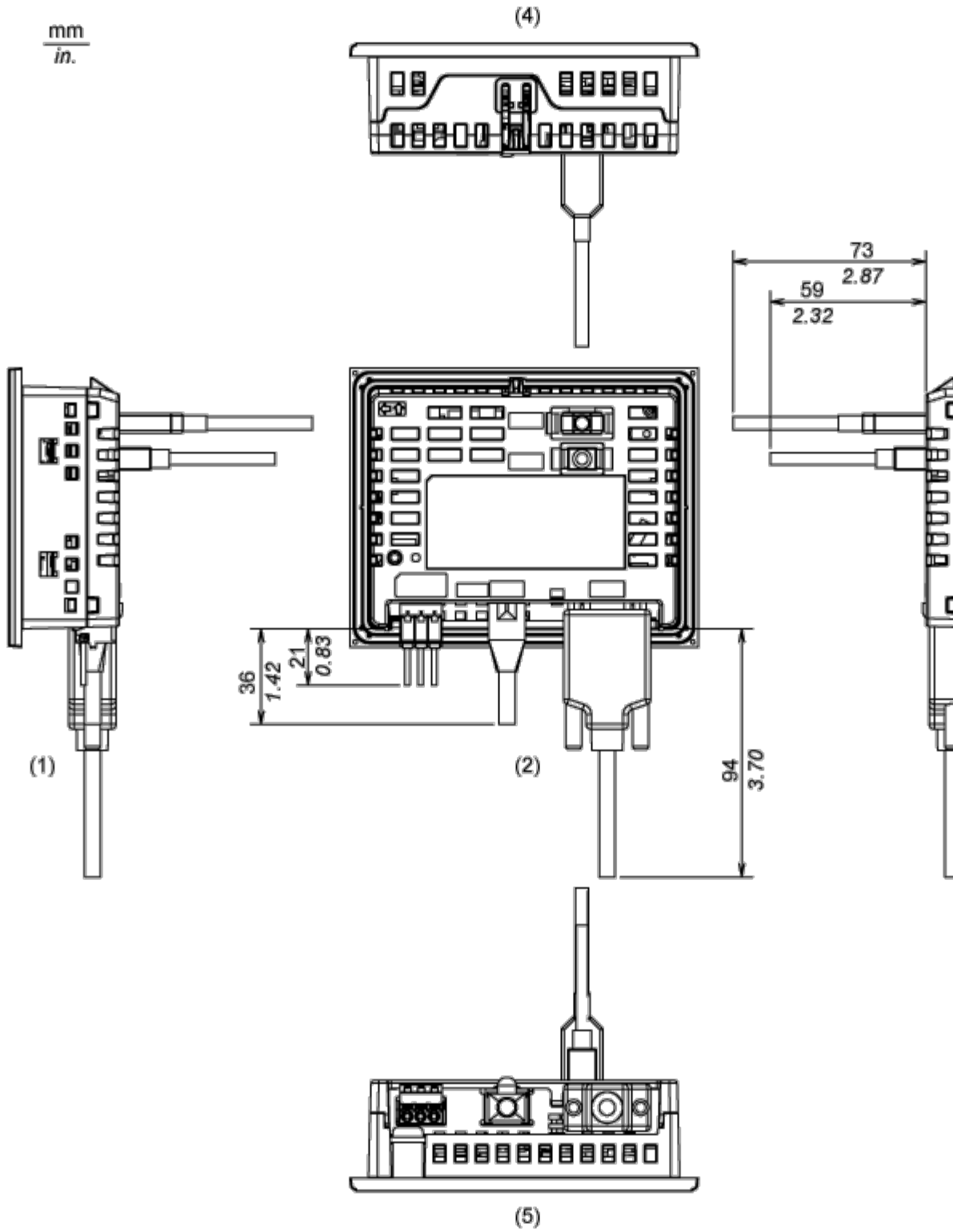
- 1 Front
- 2 Right Side
- 3 Top

Installation with Installation Fasteners



- 1 Left Side
- 2 Front
- 3 Right Side
- 4 Top
- 5 Bottom

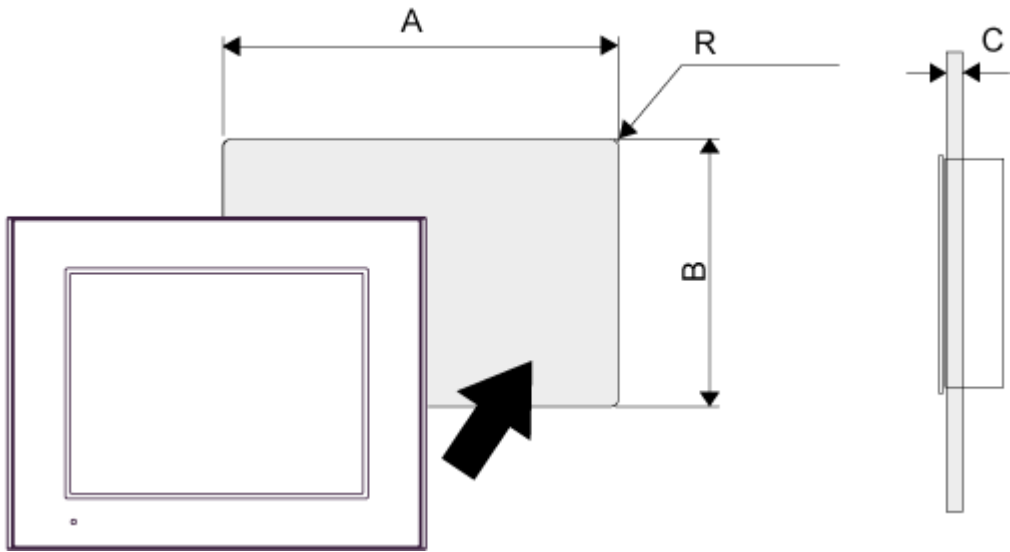
Dimensions with Cables



- 1 Left Side
- 2 Rear
- 3 Right Side
- 4 Top
- 5 Bottom

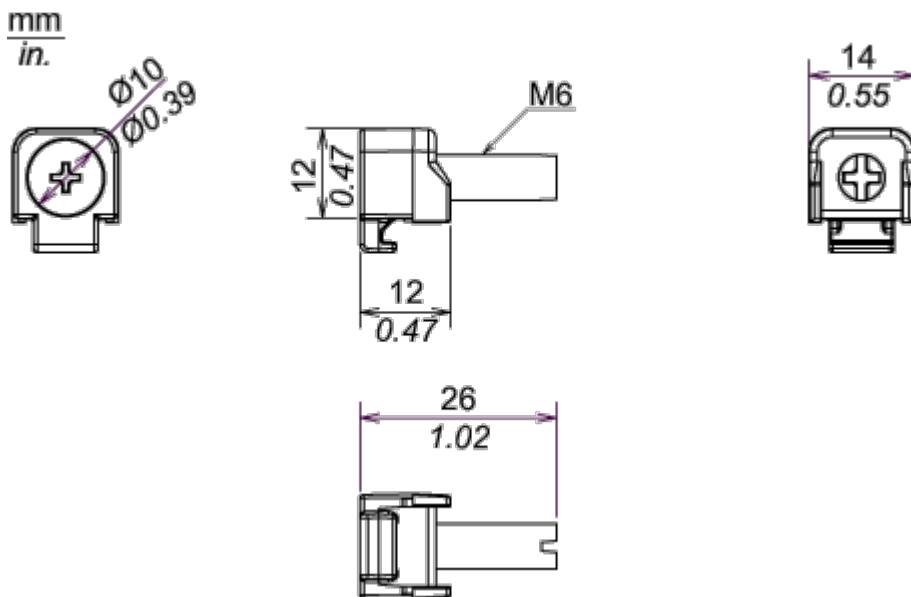
Mounting

Panel Cut Dimensions



A		B		C		R	
mm	in.	mm	in.	mm	in.	mm	in.
118.5 (+1, -0)	4.67 (+0.04, -0)	92.5 (+1, -0)	3.64 (+0.04, -0)	1.6...5	0.06...0.2	3 max.	0.12 max.

Installation Fastener Dimensions

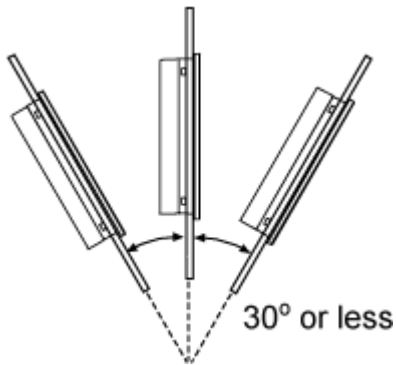




Installation Requirements

---

Mounting Angle



When installing the panel in a slanted position with an incline more than  $30^\circ$ , the ambient temperature must not exceed  $40^\circ\text{C}$  ( $104^\circ\text{F}$ ). You may need to use forced air cooling (fan,A/C) to ensure the ambient operating temperature is  $40^\circ\text{C}$  or less ( $104^\circ\text{F}$  or less).

Clearance

