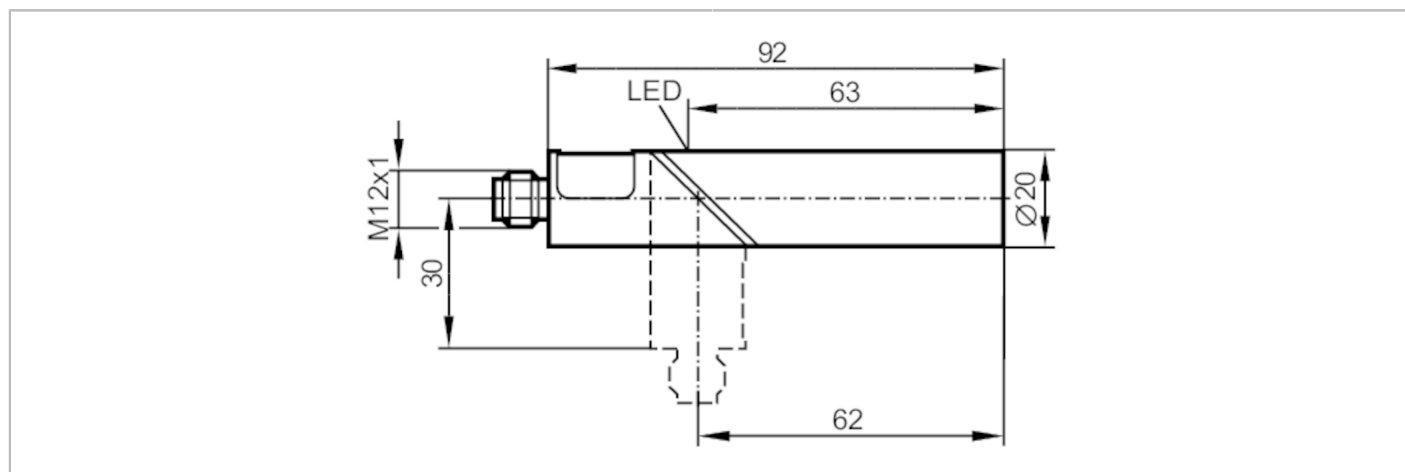


IA5135



Inductive sensor

IAE2010-FRKG/US-100-IRF



Product characteristics	
Electrical design	PNP/NPN
Output function	normally open / normally closed; (selectable)
Sensing range [mm]	10
Housing	cylindrical
Dimensions [mm]	Ø 20 / L = 92
Electrical data	
Operating voltage [V]	10...55 DC
Protection class	III
Reverse polarity protection	yes
Outputs	
Electrical design	PNP/NPN
Output function	normally open / normally closed; (selectable)
Max. voltage drop switching output DC [V]	4.6
Minimum load current [mA]	5
Max. leakage current [mA]	1
Permanent current rating of switching output DC [mA]	400
Switching frequency DC [Hz]	450
Short-circuit protection	yes
Type of short-circuit protection	pulsed
Overload protection	yes
Detection zone	
Sensing range [mm]	10
Real sensing range S_r [mm]	$10 \pm 10\%$
Operating distance [mm]	0...8.1
Accuracy / deviations	
Correction factor	steel: 1 / stainless steel: 0.7 / brass: 0.4 / aluminium: 0.3 / copper: 0.2

IA5135



Inductive sensor

IAE2010-FRKG/US-100-IRF

Hysteresis	[% of Sr]	1...15
Switch point drift	[% of Sr]	-10...10

Operating conditions

Ambient temperature	[°C]	-25...80
Protection		IP 65

Tests / approvals

EMC	EN 60947-5-2	
	EN 55011	class B
MTTF	[years]	1759

Mechanical data

Weight	[g]	93.3
Housing		cylindrical
Mounting		non-flush mountable
Dimensions	[mm]	Ø 20 / L = 92
Materials		PBT; LED window: PC

Displays / operating elements

Display	switching status	1 x LED, yellow
---------	------------------	-----------------

Accessories

Items supplied	Mounting clamps: 1
----------------	--------------------

Remarks

Pack quantity	1 pcs.
---------------	--------

Electrical connection - plug

Connector: 1 x M12; coding: A

