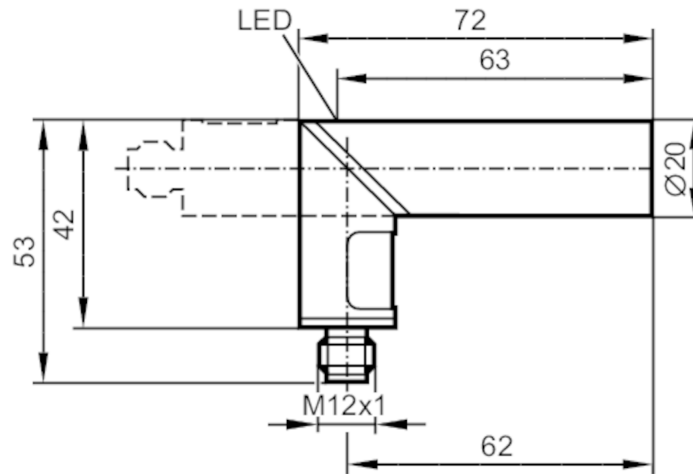


IA5137



Inductive sensor

IAE3010-APKG/US/90°



Product characteristics

Electrical design	PNP
Output function	normally closed
Sensing range [mm]	10
Housing	cylindrical
Dimensions [mm]	Ø 20 / L = 72

Electrical data

Operating voltage [V]	10...36 DC
Current consumption [mA]	< 15; (24 V)
Protection class	III
Reverse polarity protection	yes

Outputs

Electrical design	PNP
Output function	normally closed
Max. voltage drop switching output DC [V]	2.5
Permanent current rating of switching output DC [mA]	250
Switching frequency DC [Hz]	300
Short-circuit protection	yes
Type of short-circuit protection	pulsed
Overload protection	yes

Detection zone

Sensing range [mm]	10
Real sensing range S_r [mm]	$10 \pm 10 \%$
Operating distance [mm]	0...8.1

Accuracy / deviations

Correction factor	steel: 1 / stainless steel: 0.7 / brass: 0.4 / aluminium: 0.3 / copper: 0.2
-------------------	---

IA5137



Inductive sensor

IAE3010-APKG/US/90°

Hysteresis	[% of Sr]	1...15
Switch point drift	[% of Sr]	-10...10

Operating conditions

Ambient temperature	[°C]	-25...80
Protection		IP 65

Tests / approvals

EMC	EN 61000-4-2 ESD	- CD / 8 kV AD
	EN 61000-4-3 HF radiated	3 V
	EN 61000-4-4 Burst	2 kV
	EN 61000-4-5 Surge	0,5 kV line to line, Ri: 2 Ohm
	EN 61000-4-6 HF conducted	3 V
	EN 55011	class B

Mechanical data

Weight	[g]	99.3
Housing		cylindrical
Mounting		non-flush mountable
Dimensions	[mm]	Ø 20 / L = 72
Materials		PBT; LED window: PC

Displays / operating elements

Display	switching status	1 x LED, yellow
---------	------------------	-----------------

Accessories

Items supplied	Mounting clamps: 1
----------------	--------------------

Remarks

Pack quantity	1 pcs.
---------------	--------

Electrical connection - plug

Connector: 1 x M12; coding: A



IA5137

Inductive sensor

IAE3010-APKG/US/90°



Connection

