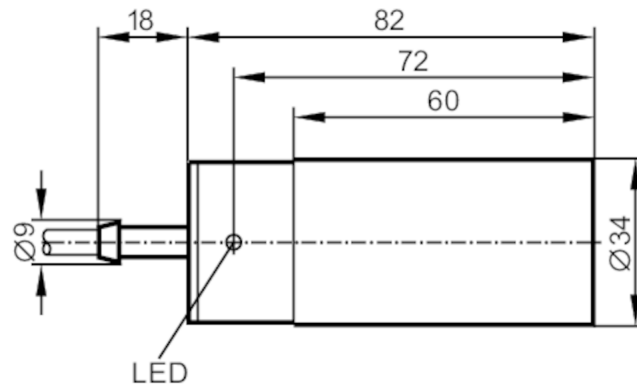


IB5065



Inductive sensor

IB-3020-BPKG/10M



Product characteristics

Electrical design		PNP
Output function		normally open
Sensing range	[mm]	20
Housing		cylindrical
Dimensions	[mm]	Ø 34 / L = 82

Electrical data

Operating voltage	[V]	10...36 DC
Current consumption	[mA]	15; (24 V)
Protection class		II
Reverse polarity protection		yes

Outputs

Electrical design		PNP
Output function		normally open
Max. voltage drop switching output DC	[V]	2.5
Permanent current rating of switching output DC	[mA]	250
Switching frequency DC	[Hz]	60
Short-circuit protection		yes
Type of short-circuit protection		pulsed
Overload protection		yes

Detection zone

Sensing range	[mm]	20
Real sensing range Sr	[mm]	20 ± 10 %
Operating distance	[mm]	0...16.2

Accuracy / deviations

Correction factor		steel: 1 / stainless steel: 0.7 / brass: 0.4 / aluminium: 0.3 / copper: 0.2
Hysteresis	[% of Sr]	1...15

IB5065



Inductive sensor

IB-3020-BPKG/10M

Switch point drift	[% of Sr]	-10...10
--------------------	-----------	----------

Operating conditions

Ambient temperature	[°C]	-25...80
---------------------	------	----------

Protection		IP 67
------------	--	-------

Tests / approvals

EMC		EN 60947-5-2
-----	--	--------------

MTTF	[years]	1853
------	---------	------

Mechanical data

Weight	[g]	611.7
--------	-----	-------

Housing		cylindrical
---------	--	-------------

Mounting		non-flush mountable
----------	--	---------------------

Dimensions	[mm]	Ø 34 / L = 82
------------	------	---------------

Materials		PBT
-----------	--	-----

Displays / operating elements

Display	switching status	1 x LED, yellow
---------	------------------	-----------------

Accessories

Items supplied		Mounting clamps: 1 socket head screws: 2
----------------	--	---------------------------------------------

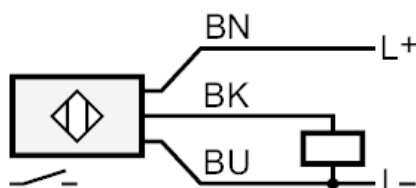
Remarks

Pack quantity		1 pcs.
---------------	--	--------

Electrical connection

Cable: 10 m, PVC; 3 x 0.5 mm²

Connection



	Core colours :
BN =	brown
BU =	blue
BK =	black