

IB5111



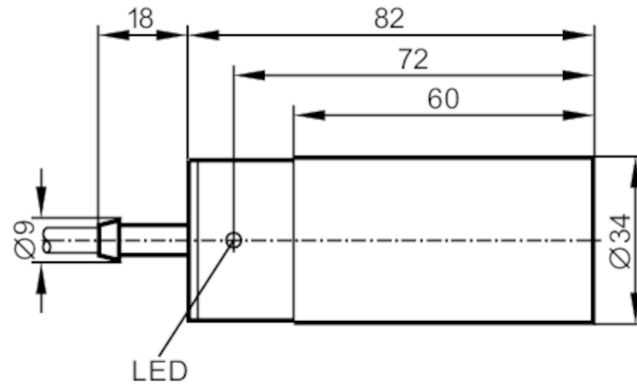
Inductive sensor

IB-3020-BPKG/15M

Article no longer available - archive entry

Alternative articles: IB5097

When selecting an alternative article and accessories please note that technical data may differ!



Product characteristics

Electrical design		PNP
Output function		normally open
Sensing range	[mm]	20
Housing		cylindrical
Dimensions	[mm]	Ø 34 / L = 82

Electrical data

Operating voltage	[V]	10...36 DC
Current consumption	[mA]	15; (24 V)
Protection class		II
Reverse polarity protection		yes

Outputs

Electrical design		PNP
Output function		normally open
Max. voltage drop switching output DC	[V]	2.5
Permanent current rating of switching output DC	[mA]	250
Switching frequency DC	[Hz]	60
Short-circuit protection		yes
Type of short-circuit protection		pulsed
Overload protection		yes

Detection zone

Sensing range	[mm]	20
Real sensing range S_r	[mm]	$20 \pm 10 \%$
Operating distance	[mm]	0...16.2

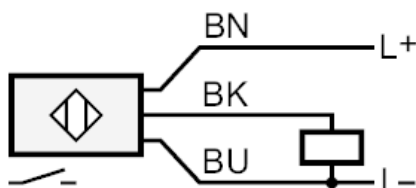
IB5111



Inductive sensor

IB-3020-BPKG/15M

Accuracy / deviations		
Correction factor		steel: 1 / stainless steel: 0.7 / brass: 0.4 / aluminium: 0.3 / copper: 0.2
Hysteresis	[% of Sr]	1...15
Switch point drift	[% of Sr]	-10...10
Operating conditions		
Ambient temperature	[°C]	-25...80
Protection		IP 67
Tests / approvals		
EMC		EN 60947-5-2
MTTF	[years]	1853
Mechanical data		
Weight	[g]	841
Housing		cylindrical
Mounting		non-flush mountable
Dimensions	[mm]	Ø 34 / L = 82
Materials		PBT
Displays / operating elements		
Display	switching status	1 x LED, yellow
Accessories		
Items supplied		Mounting clamps: 1 socket head screws: 2
Remarks		
Pack quantity		1 pcs.
Electrical connection		
Cable: 15 m, PVC; 3 x 0.5 mm ²		
Connection		



Core colours :
BN = brown
BU = blue
BK = black