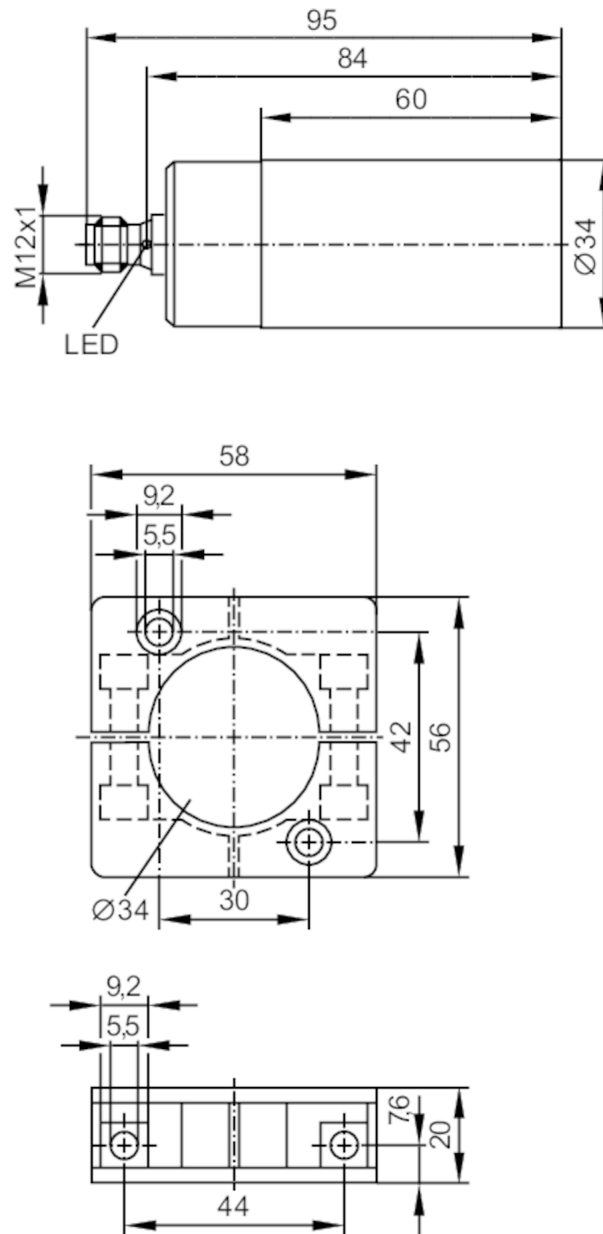


IB5125



Inductive sensor

IB-3030-BPKG/US-104-DPS



Product characteristics

Electrical design	PNP
Output function	normally open
Sensing range [mm]	30
Housing	cylindrical
Dimensions [mm]	Ø 34 / L = 95

Application

Special feature	Gold-plated contacts
-----------------	----------------------

Electrical data

Operating voltage [V]	10...36 DC
-----------------------	------------

IB5125



Inductive sensor

IB-3030-BPKG/US-104-DPS

Current consumption	[mA]	< 15
Protection class		II
Reverse polarity protection		yes
Outputs		
Electrical design		PNP
Output function		normally open
Max. voltage drop switching output DC	[V]	2.5
Permanent current rating of switching output DC	[mA]	250
Switching frequency DC	[Hz]	350
Short-circuit protection		yes
Type of short-circuit protection		pulsed
Overload protection		yes
Detection zone		
Sensing range	[mm]	30
Real sensing range Sr	[mm]	30 ± 10 %
Operating distance	[mm]	0...24.3
Accuracy / deviations		
Correction factor		steel: 1 / stainless steel: 0.7 / brass: 0.4 / aluminium: 0.4 / copper: 0.3
Hysteresis	[% of Sr]	3...15
Switch point drift	[% of Sr]	-10...10
Operating conditions		
Ambient temperature	[°C]	-25...80
Protection		IP 67
Tests / approvals		
EMC	EN 60947-5-2	
	EN 55011	class B
MTTF	[years]	1789
Mechanical data		
Weight	[g]	246.5
Housing		cylindrical
Mounting		non-flush mountable
Dimensions	[mm]	Ø 34 / L = 95
Materials		housing: PBT; sensing face: PBT orange; clamp: PBT black
Displays / operating elements		
Display	switching status	1 x LED, yellow
Accessories		
Items supplied		Mounting clamps: 1
Remarks		
Pack quantity		1 pcs.

IB5125



Inductive sensor

IB-3030-BPKG/US-104-DPS

Electrical connection - plug

Connector: 1 x M12; coding: A; Locking: brass, white bronze coated; Contacts: gold-plated



Connection

