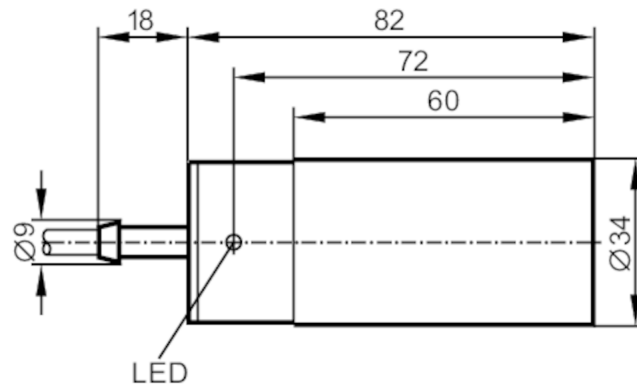


IB5131



Inductive sensor

IB-2020-FRKG/PH



Product characteristics

Output function		normally open / normally closed; (selectable)
Sensing range	[mm]	20
Housing		cylindrical
Dimensions	[mm]	Ø 34 / L = 82

Electrical data

Operating voltage	[V]	10...55 DC
Protection class		II
Reverse polarity protection		yes

Outputs

Output function		normally open / normally closed; (selectable)
Max. voltage drop switching output DC	[V]	4.6
Minimum load current	[mA]	4
Max. leakage current	[mA]	0.5
Permanent current rating of switching output DC	[mA]	400
Switching frequency DC	[Hz]	300
Short-circuit protection		yes
Type of short-circuit protection		pulsed
Overload protection		yes

Detection zone

Sensing range	[mm]	20
Real sensing range Sr	[mm]	20 ± 10 %
Operating distance	[mm]	0...16.2

Accuracy / deviations

Correction factor		steel: 1 / stainless steel: 0.7 / brass: 0.4 / aluminium: 0.3 / copper: 0.2
Hysteresis	[% of Sr]	3...15
Switch point drift	[% of Sr]	-10...10

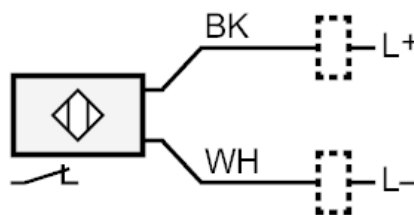
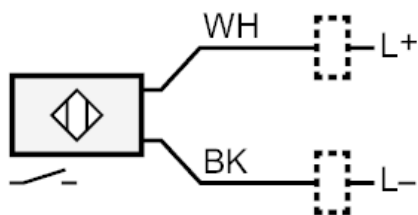
IB5131



Inductive sensor

IB-2020-FRKG/PH

Operating conditions		
Ambient temperature	[°C]	-25...80
Protection		IP 67
Tests / approvals		
EMC		EN 60947-5-2
MTTF	[years]	1699
Mechanical data		
Weight	[g]	254.5
Housing		cylindrical
Mounting		non-flush mountable
Dimensions	[mm]	Ø 34 / L = 82
Materials		PBT
Displays / operating elements		
Display	switching status	1 x LED, yellow
Accessories		
Items supplied		Mounting clamps: 1
Remarks		
Pack quantity		1 pcs.
Electrical connection		
Cable: 2 m, PUR / PVC; 2 x 0.5 mm ²		
Connection		



Core colours :
BK = black
WH = white