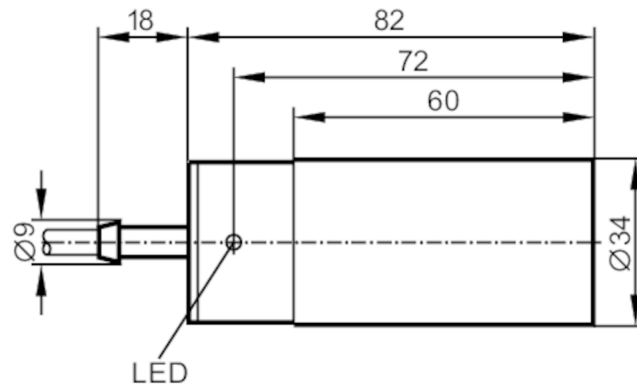


# IB5161



## Inductive sensor

IB-2020-FRKG/6M/PH



Product characteristics	
Output function	normally open / normally closed; (selectable)
Sensing range [mm]	20
Housing	cylindrical
Dimensions [mm]	Ø 34 / L = 82
Electrical data	
Operating voltage [V]	10...55 DC
Protection class	II
Reverse polarity protection	yes
Outputs	
Output function	normally open / normally closed; (selectable)
Max. voltage drop switching output DC [V]	4.6
Minimum load current [mA]	4
Max. leakage current [mA]	0.5
Permanent current rating of switching output DC [mA]	400
Switching frequency DC [Hz]	300
Short-circuit protection	yes
Type of short-circuit protection	pulsed
Overload protection	yes
Detection zone	
Sensing range [mm]	20
Real sensing range Sr [mm]	20 ± 10 %
Operating distance [mm]	0...16.2
Accuracy / deviations	
Correction factor	steel: 1 / stainless steel: 0.7 / brass: 0.4 / aluminium: 0.3 / copper: 0.2
Hysteresis [% of Sr]	3...15
Switch point drift [% of Sr]	-10...10

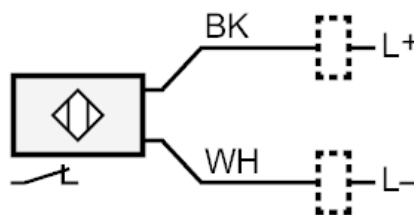
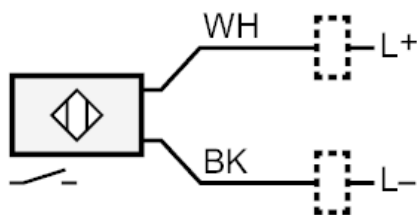
# IB5161



## Inductive sensor

IB-2020-FRKG/6M/PH

Operating conditions		
Ambient temperature	[°C]	-25...80
Protection		IP 67
Tests / approvals		
EMC		EN 60947-5-2
MTTF	[years]	1699
Mechanical data		
Weight	[g]	415
Housing		cylindrical
Mounting		non-flush mountable
Dimensions	[mm]	Ø 34 / L = 82
Materials		PBT
Displays / operating elements		
Display	switching status	1 x LED, yellow
Accessories		
Items supplied		Mounting clamps: 1
Remarks		
Pack quantity		1 pcs.
Electrical connection		
Cable: 6 m, PUR / PVC; 2 x 0.5 mm <sup>2</sup>		
Connection		



Core colours :  
BK = black  
WH = white