

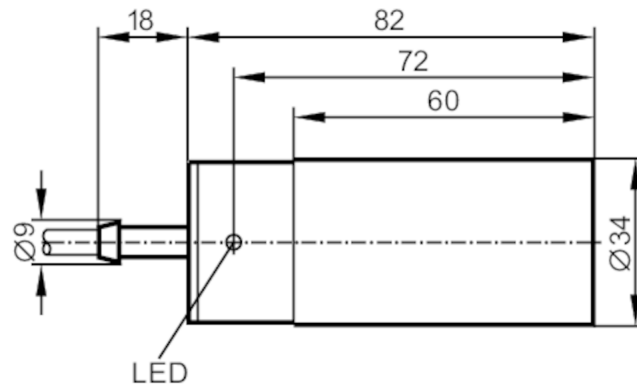
IB5163



Inductive sensor

IB-3027SFPKG

RT



Product characteristics

Electrical design	PNP
Output function	normally open / normally closed; (selectable)
Sensing range [mm]	27
Housing	cylindrical
Dimensions [mm]	Ø 34 / L = 82

Electrical data

Operating voltage [V]	10...36 DC
Current consumption [mA]	15; (24 V)
Protection class	II
Reverse polarity protection	yes

Outputs

Electrical design	PNP
Output function	normally open / normally closed; (selectable)
Max. voltage drop switching output DC [V]	3
Permanent current rating of switching output DC [mA]	250
Short-time current rating of switching output [mA]	400
Switching frequency DC [Hz]	20
Short-circuit protection	yes
Type of short-circuit protection	pulsed
Overload protection	yes

Detection zone

Sensing range [mm]	27
Real sensing range Sr [mm]	27 ± 10 %
Operating distance [mm]	0...21.87

Accuracy / deviations

Correction factor	steel: 1 / stainless steel: 0.7 / brass: 0.5 / aluminium: 0.4 / copper: 0.3
-------------------	---

IB5163



Inductive sensor

IB-3027SFPKG RT

Hysteresis	[% of Sr]	1...15
Switch point drift	[% of Sr]	-10...10

Operating conditions

Ambient temperature	[°C]	-30...50
Protection		IP 67

Tests / approvals

EMC	EN 60947-5-2	class B
	EN 55011	
MTTF	[years]	1194

Mechanical data

Weight	[g]	257.5
Housing		cylindrical
Mounting		non-flush mountable
Dimensions	[mm]	Ø 34 / L = 82
Materials		PBT

Displays / operating elements

Display	switching status	1 x LED, red
---------	------------------	--------------

Accessories

Items supplied	Mounting clamps: 1
----------------	--------------------

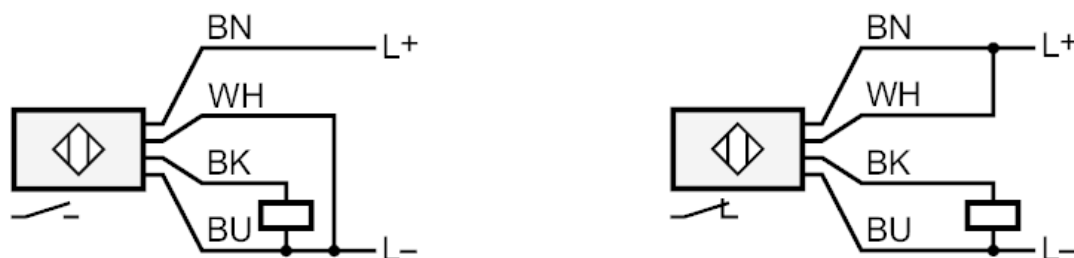
Remarks

Remarks	Reprogramming allows the output of the switch to be monitored in the monitor mode. Note: The switch holds no approval as a fail-safe switch.
Pack quantity	1 pcs.

Electrical connection

Cable: 2 m, PVC; 4 x 0.34 mm²

Connection



	Core colours :
BK =	black
BN =	brown
BU =	blue
WH =	white