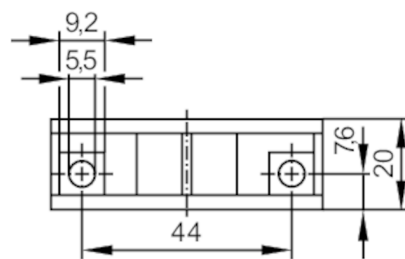
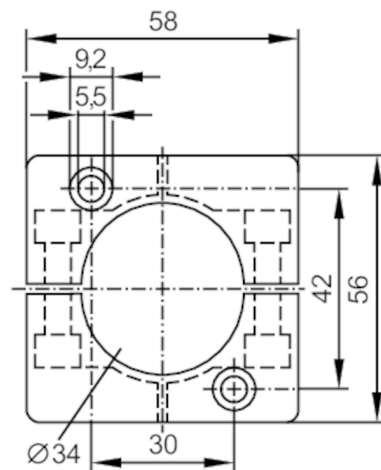
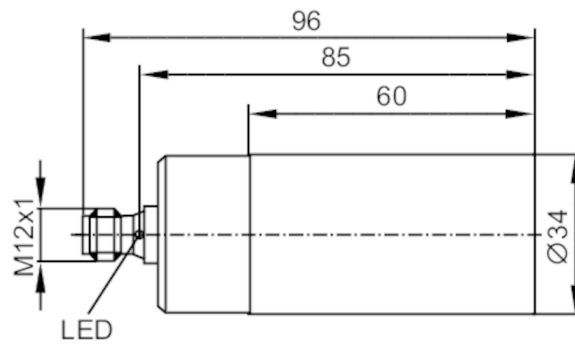


# IB5171

## Inductive sensor

IB-4030-CPKG/US



### Product characteristics

Electrical design	PNP
Output function	complementary
Sensing range [mm]	30
Housing	cylindrical
Dimensions [mm]	Ø 34 / L = 96

### Application

Special feature	Gold-plated contacts
-----------------	----------------------

### Electrical data

Operating voltage [V]	10...30 DC
-----------------------	------------

# IB5171



## Inductive sensor

IB-4030-CPKG/US

Current consumption	[mA]	< 15
Protection class		II
Reverse polarity protection		yes

### Outputs

Electrical design		PNP
Output function		complementary
Max. voltage drop switching output DC	[V]	2.5
Permanent current rating of switching output DC	[mA]	200
Switching frequency DC	[Hz]	350
Short-circuit protection		yes
Type of short-circuit protection		pulsed
Overload protection		yes

### Detection zone

Sensing range	[mm]	30
Real sensing range Sr	[mm]	30 ± 10 %
Operating distance	[mm]	0...24.3

### Accuracy / deviations

Correction factor		steel: 1 / stainless steel: 0.7 / brass: 0.4 / aluminium: 0.4 / copper: 0.3
Hysteresis	[% of Sr]	3...15
Switch point drift	[% of Sr]	-10...10

### Operating conditions

Ambient temperature	[°C]	-25...80
Protection		IP 67

### Tests / approvals

EMC	EN 60947-5-2	
	EN 61000-4-2 ESD	4 kV CD / 8 kV AD
	EN 61000-4-3 HF radiated	10 V/m
	EN 61000-4-4 Burst	2 kV
	EN 61000-4-5 Surge	0,5 kV line to line, Ri: 2 Ohm
	EN 61000-4-6 HF conducted	10 V
	EN 55011	class B
MTTF	[years]	1334

### Mechanical data

Weight	[g]	247
Housing		cylindrical
Mounting		non-flush mountable
Dimensions	[mm]	Ø 34 / L = 96
Materials		housing: PBT; sensing face: PBT orange; clamp: PBT black

### Displays / operating elements

Display	switching status	1 x LED, yellow
---------	------------------	-----------------

### Accessories

Items supplied		Mounting clamps: 1
----------------	--	--------------------

# IB5171



## Inductive sensor

IB-4030-CPKG/US

### Remarks

Pack quantity

1 pcs.

### Electrical connection - plug

Connector: 1 x M12; coding: A; Locking: brass, white bronze coated; Contacts: gold-plated



### Connection

