

Bảng thông số sản phẩm

Thông số kỹ thuật



Complete selector switch, Easy Harmony XB2, metal, black, 22mm, 2 positions, stay put, 1NO + 1NC

XB2BD25C

Main

Range Of Product	Easy Harmony XB2
Product Or Component Type	Complete selector switch
Device Presentation	Complete product
Device Short Name	XB2
Fixing Collar Material	Zamak
Head Type	Standard

Complementary

Bezel Material	Chromium plated metal
Mounting Diameter	22.5 mm
Sale Per Indivisible Quantity	1
Overvoltage Category	Class I conforming to IEC 60536
Shape Of Signaling Unit Head	Round
Type Of Operator	stay put
Operator Profile	Black standard handle
Operating Position	Any position
Operator Position Information	2 positions
Terminals Description Iso N°1	(13-14)NO (21-22)NC
Contacts Type And Composition	1 NO + 1 NC
Contact Operation	Slow-break
Mechanical Durability	1000000 cycles
Compatibility Code	XB2
Device Mounting	Fixing hole - diameter: 22.5 mm
Fixing Center	>= 30 x 40 mm (panel) - thickness: 1...6 mm
Fixing Mode	Fixing screw beneath head recommended torque: 0.8 N.m Fixing screw beneath head recommended torque: 1.0 N.m
Connections - Terminals	Screw clamp terminal, <= 2 x 1.5 mm ² with and without cable ends Screw clamp terminal, <= 1 x 2.5 mm ² with and without cable ends Screw clamp terminal, >= 1 x 0.5 mm ² with and without cable ends Faston terminals, connection size: 6.3 mm
Tightening Torque	0.8...1.0 N.m

Shape Of Screw Head	Cross compatible with Philips no 1 screwdriver Cross compatible with pozidriv No 1 screwdriver Slotted compatible with flat Ø 4 mm screwdriver Slotted compatible with flat Ø 5.5 mm screwdriver
Contacts Material	Silver alloy (Ag/Ni)
[Ith] Conventional Free Air Thermal Current	10 A conforming to IEC 60947-5-1
[Ui] Rated Insulation Voltage	600 V (pollution degree 3) conforming to IEC 60947-1
[Uimp] Rated Impulse Withstand Voltage	6 kV conforming to IEC 60947-1
[Ie] Rated Operational Current	3 A at 240 V, AC-15, A600 conforming to IEC 60947-5-1 0.27 A at 250 V, DC-13, Q600 conforming to IEC 60947-5-1
Electrical Durability	1000000 cycles, AC-15, 3 A at 240 V, operating rate <3600 cyc/h, load factor: 0.5 conforming to IEC 60947-5-1 appendix C 1000000 cycles, DC-13, 0.27 A at 250 V, operating rate <3600 cyc/h, load factor: 0.5 conforming to IEC 60947-5-1 appendix C
Electrical Reliability	$\Lambda < 10\exp(-6)$ at 5 V and 1 mA in clean environment conforming to IEC 60947-5-4 $\Lambda < 10\exp(-8)$ at 17 V and 5 mA in clean environment conforming to IEC 60947-5-4
Width	40 mm
Height	30 mm
Depth	70 mm
Net Weight	0.1 kg
Contacts Usage	Standard contacts
Cap/Operator Or Lens Colour	Black
Product Compatibility	ZB2..C
Customizable	No
Operator Profile	Standard handle
Type Of Operator	Stay put

Environment

Short-Circuit Protection	10 A gL fuse type gG conforming to IEC 60947-5-1
Ip Degree Of Protection	IP65
Ik Degree Of Protection	IK06
Protective Treatment	TC/TH
Ambient Air Temperature For Storage	-40...70 °C
Ambient Air Temperature For Operation	-25...70 °C
Standards	IEC 60947-5-1 IEC 60947-5-4 IEC 60947-1 GB/T 14048.1 GB/T 14048.5
Product Certifications	CCC CE
Vibration Resistance	5 gn (f= 2...500 Hz) conforming to IEC 60068-2-6
Shock Resistance	30 gn (duration = 18 ms) for half sine wave acceleration conforming to IEC 60068-2-27 50 gn (duration = 11 ms) for half sine wave acceleration conforming to IEC 60068-2-27
Positive Opening	Without

Packing Units

Unit Type Of Package 1	PCE
Number Of Units In Package 1	1
Package 1 Height	5.5 cm
Package 1 Width	7 cm
Package 1 Length	7 cm
Package 1 Weight	106 g
Unit Type Of Package 2	S02
Number Of Units In Package 2	50
Package 2 Height	15 cm
Package 2 Width	30 cm
Package 2 Length	40 cm
Package 2 Weight	3.495 kg
Unit Type Of Package 3	P06
Number Of Units In Package 3	600
Package 3 Height	90 cm
Package 3 Width	60 cm
Package 3 Length	80 cm
Package 3 Weight	78.4 kg

Bền vững

Nhãn **Green Premium™** là cam kết của Schneider Electric trong việc cung cấp sản phẩm với hiệu suất môi trường tốt nhất. Green Premium cam kết tuân thủ các quy định mới nhất, minh bạch về tác động môi trường, cũng như các sản phẩm tuần hoàn và CO₂ thấp.

Hướng dẫn đánh giá tính bền vững của sản phẩm là tài liệu kỹ thuật phổ thông giúp làm rõ các tiêu chuẩn nhãn sinh thái toàn cầu và cách diễn giải việc khai báo môi trường.

[Tìm hiểu thêm về Green Premium >](#)

[Hướng dẫn đánh giá về sự bền vững của sản phẩm >](#)



Minh bạch [RoHS/REACH](#)

Hiệu suất sức khỏe



Reach Free Of Svhc



Mercury Free



Rohs Exemption Information

[Yes](#)

Chứng nhận & Tiêu chuẩn

Reach Regulation

[REACH Declaration](#)

Eu Rohs Directive

Pro-active compliance (Product out of EU RoHS legal scope)

[EU RoHS Declaration](#)

China Rohs Regulation

[China RoHS declaration](#)

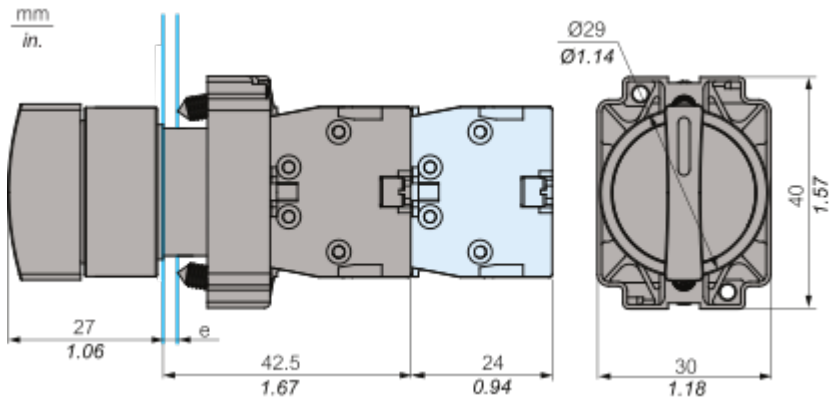
Environmental Disclosure

[Product Environmental Profile](#)

Circularity Profile

No need of specific recycling operations

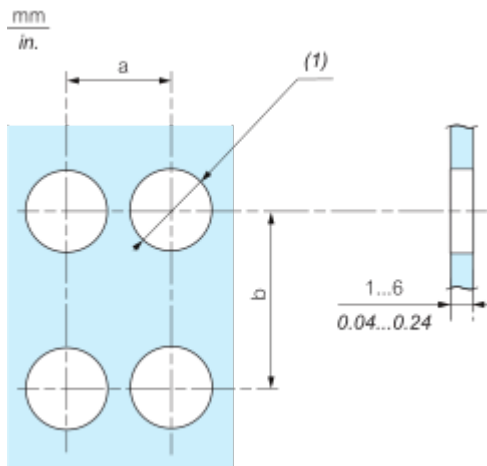
Dimensions



e: clamping thickness 1 to 6 mm / 0.04 to 0.24 in.

Mounting and Clearance

Panel cut-out



	Connection by Screw clamp terminals			
	a in mm	a in in.	b in mm	b in in.
•B2BA•C / •B2BL•C / •B2BP•C / •B2BS4•C / •B2BD•C / •B2BJ•C / •B2BG•C / •B2BW•C	40	1.57	30	1.18
•B2BC•C / •B2BS5•C / •B2BS8•C / •B2BT•C	40	1.57	40	1.57
•B2BR•C / •B2BS6•C	60	2.36	60	2.36

(1) $\varnothing 22.5 \text{ mm} / 0.89 \text{ in.}$ recommended ($\varnothing 22.3 \text{ mm}_0^{+0.4} / 0.88 \text{ in.}_0^{+0.016}$)