

# Product datasheet

Specifications



7 inch wide screen, Universal model, 2 serial ports, 1 Ethernet port, embedded RTC

HMIGXU3512

## Main

Range Of Product	Harmony Easy GXU
Product Or Component Type	Advanced touchscreen panel
Display Type	LCD touch screen
Display Colour	65536 colours
Display Resolution	800 x 480 pixels WVGA
Display Size	7 inch

## Complementary

Backlight Lifespan	20000 hours
[Us] Rated Supply Voltage	24 V DC
Software Designation	Vijeo Designer Basic configuration software
Memory Description	Internal, 48 MB for application Internal DDR, 128 MB Internal, 128 kB for backup
Integrated Connection Type	USB type mini B COM1 serial link: 9-way male SUB-D connector, RS232C COM2 serial link: 9-way male SUB-D connector, RS422/RS485 USB type A Ethernet 10/100BASE-TX
Cut-Out Dimensions	190 x 135 mm

## Environment

Quality Labels	CE
Ambient Air Temperature For Operation	0...50 °C
Ambient Air Temperature For Storage	-20...60 °C
Ip Degree Of Protection	IP65 (front panel)

## Packing Units

Unit Type Of Package 1	PCE
Number Of Units In Package 1	1
Package 1 Height	9.163 cm
Package 1 Width	18.024 cm
Package 1 Length	25.544 cm
Package 1 Weight	910 g
Unit Type Of Package 2	S04

<b>Number Of Units In Package 2</b>	12
<b>Package 2 Height</b>	30 cm
<b>Package 2 Width</b>	40 cm
<b>Package 2 Length</b>	60 cm
<b>Package 2 Weight</b>	11747 g
<b>Unit Type Of Package 3</b>	P12
<b>Number Of Units In Package 3</b>	144
<b>Package 3 Height</b>	95 cm
<b>Package 3 Width</b>	80 cm
<b>Package 3 Length</b>	120 cm
<b>Package 3 Weight</b>	149964 g

## Sustainability


**Green Premium™ label** is Schneider Electric's commitment to delivering products with best-in-class environmental performance. Green Premium promises compliance with the latest regulations, transparency on environmental impacts, as well as circular and low-CO<sub>2</sub> products.

**Guide to assessing product sustainability** is a white paper that clarifies global eco-label standards and how to interpret environmental declarations.

[Learn more about Green Premium >](#)


[Guide to assess a product's sustainability >](#)

## Resource performance


 Upgradeable Through Digital Modules

---

## Well-being performance

 Mercury Free

---

 Rohs Exemption Information [Yes](#)

---

**Reach Regulation** [REACH Declaration](#)

---

**Eu Rohs Directive** Pro-active compliance (Product out of EU RoHS legal scope)

---

**China Rohs Regulation** [China RoHS declaration](#)

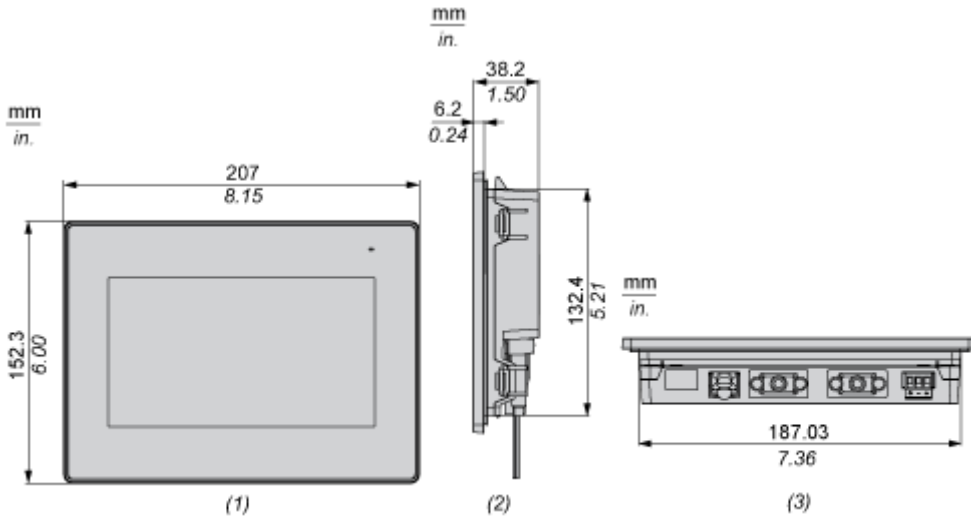
---

Dimensions Drawings

Dimensions

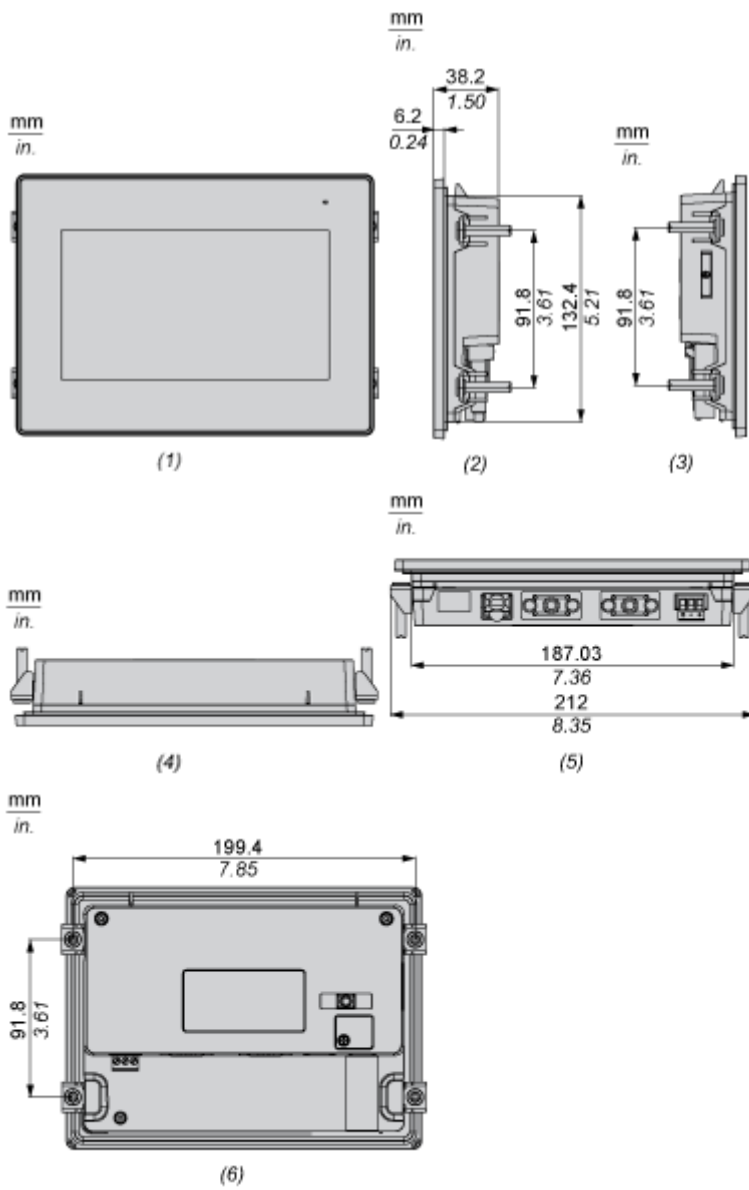
---

External Dimensions



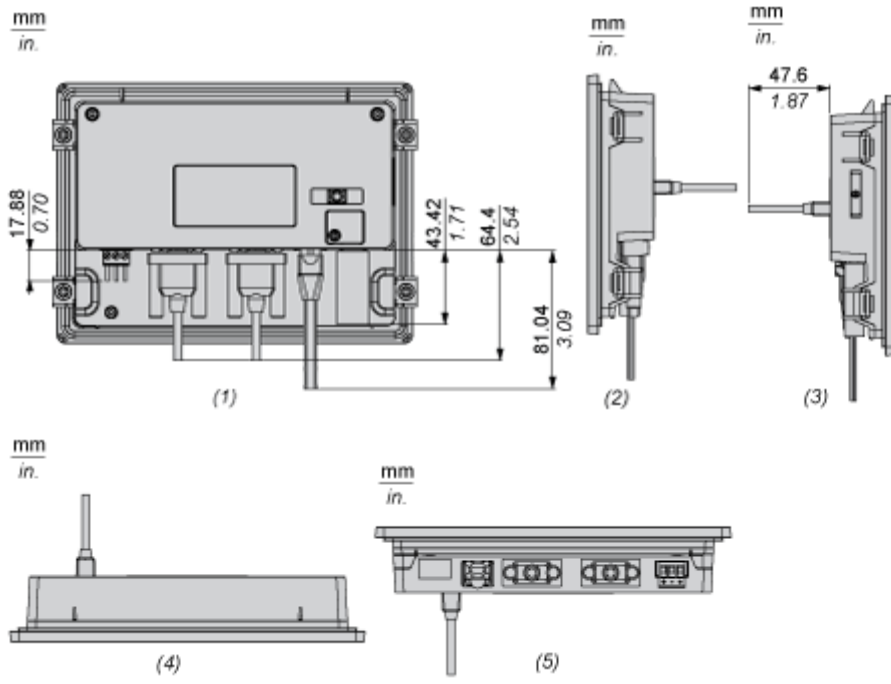
- (1) Front
- (2) Right
- (3) Bottom

Installation with Installation Fasteners



- (1) Front
- (2) Right
- (3) Left
- (4) Top
- (5) Bottom
- (6) Rear

**Dimensions with Cables**

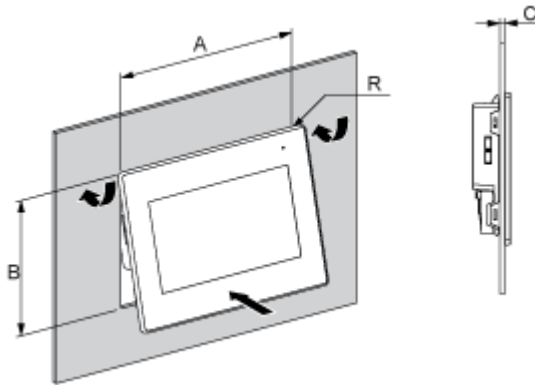


- (1) Rear
- (2) Right
- (3) Left
- (4) Top
- (5) Bottom

Mounting and Clearance

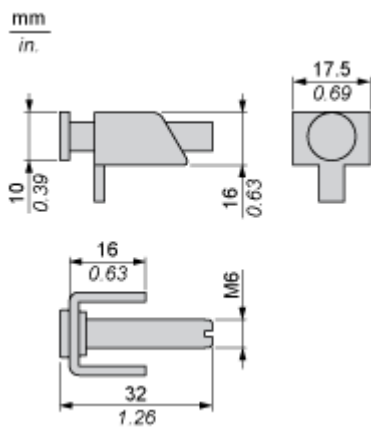
Mounting

Panel Cut Dimensions



A		B		C		R	
mm	in.	mm	in.	mm	in.	mm	in.
190±1	7.48±0.04	135±0.7	5.31±0.03	1...5	0.04...0.19	3 max	0.12 max.

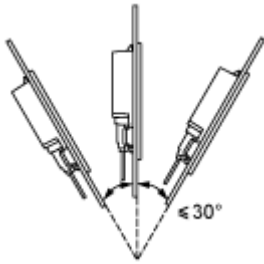
Installation Fasteners Dimensions



**Installation Requirements**

---

**Mounting Angle**



When installing the panel in a slanted position, and the panel face inclines more than 30°, the ambient temperature must not exceed 40 °C (104 °F).

**Clearance**

