

Product datasheet

Specifications



10.1 inch widescreen, Universal model, 2 serial ports, 1 Ethernet port, embedded RTC

HMIGXU5512

Main

Range Of Product	Harmony Easy GXU
Product Or Component Type	Advanced touchscreen panel
Display Type	LCD touch screen
Display Colour	65536 colours
Display Resolution	800 x 480 pixels WVGA
Display Size	10.1 inch

Complementary

Backlight Lifespan	20000 hours
[Us] Rated Supply Voltage	24 V DC
Software Designation	Vijeo Designer Basic configuration software
Memory Description	Internal, 48 MB for application Internal DDR, 128 MB Internal, 128 kB for backup
Integrated Connection Type	USB type mini B COM1 serial link: 9-way male SUB-D connector, RS232C COM2 serial link: 9-way male SUB-D connector, RS422/RS485 USB type A Ethernet 10/100BASE-TX
Cut-Out Dimensions	255 x 185 mm

Environment

Quality Labels	CE
Ambient Air Temperature For Operation	0...50 °C
Ambient Air Temperature For Storage	-20...60 °C
Ip Degree Of Protection	IP65 (front panel)

Packing Units

Unit Type Of Package 1	PCE
Number Of Units In Package 1	1
Package 1 Height	9.4 cm
Package 1 Width	23.9 cm
Package 1 Length	32.4 cm
Package 1 Weight	1.5 kg
Unit Type Of Package 2	S04

Number Of Units In Package 2	7
Package 2 Height	30 cm
Package 2 Width	40 cm
Package 2 Length	60 cm
Package 2 Weight	11398 g
Unit Type Of Package 3	P12
Number Of Units In Package 3	84
Package 3 Height	95 cm
Package 3 Width	80 cm
Package 3 Length	120 cm
Package 3 Weight	145776 g

Sustainability


Green Premium™ label is Schneider Electric's commitment to delivering products with best-in-class environmental performance. Green Premium promises compliance with the latest regulations, transparency on environmental impacts, as well as circular and low-CO₂ products.

Guide to assessing product sustainability is a white paper that clarifies global eco-label standards and how to interpret environmental declarations.

[Learn more about Green Premium >](#)


[Guide to assess a product's sustainability >](#)

Resource performance

 Upgradeable Through Digital Modules

Well-being performance

 Mercury Free

 Rohs Exemption Information [Yes](#)

Reach Regulation [REACH Declaration](#)

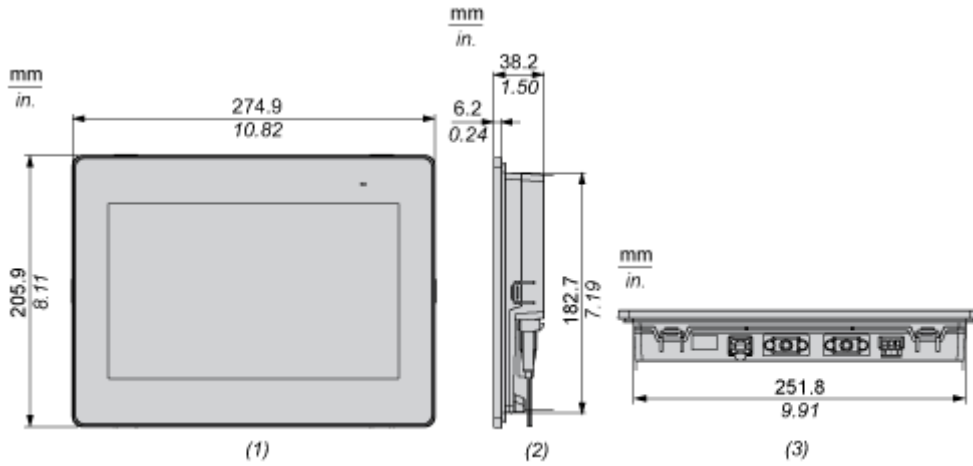
Eu Rohs Directive Pro-active compliance (Product out of EU RoHS legal scope)

China Rohs Regulation [China RoHS declaration](#)

Dimensions Drawings

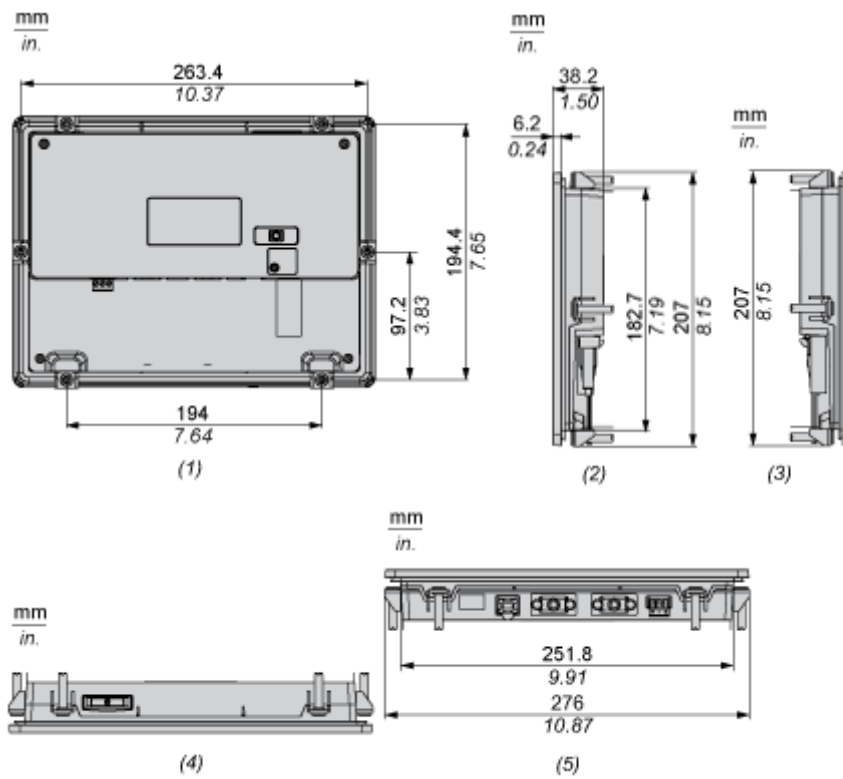
Dimensions

External Dimensions



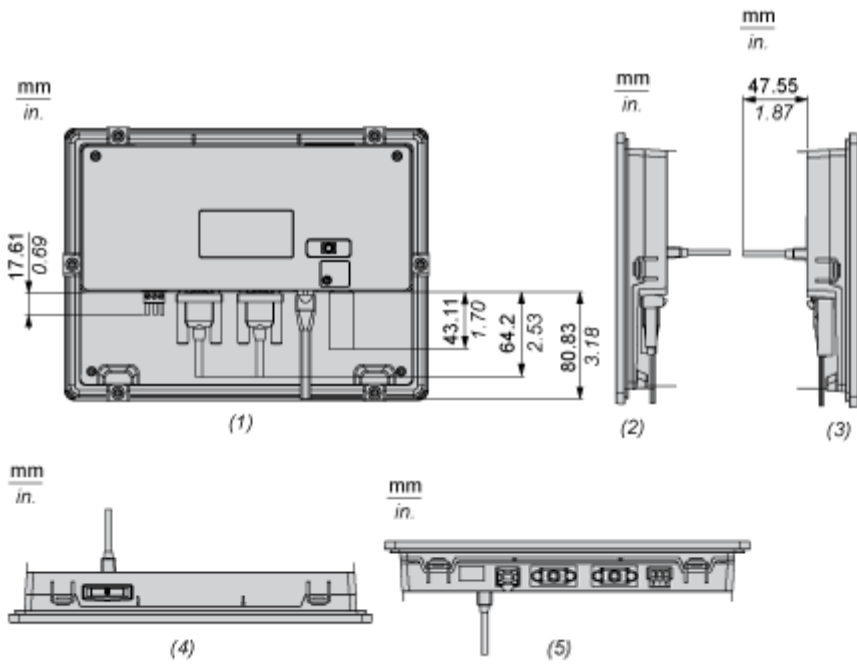
- (1) Front
- (2) Right
- (3) Bottom

Installation with Installation Fasteners



- (1) Rear
- (2) Right
- (3) Left
- (4) Top
- (5) Bottom

Dimensions with Cables

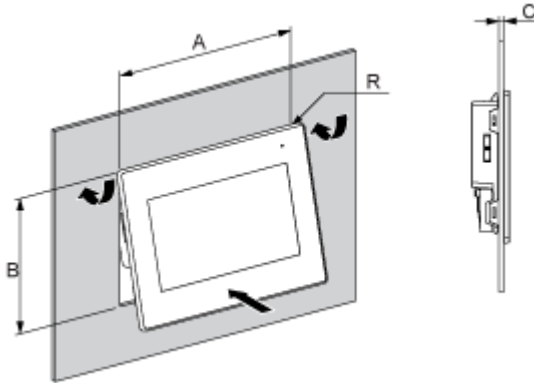


- (1) Rear
- (2) Right
- (3) Left
- (4) Top
- (5) Bottom

Mounting and Clearance

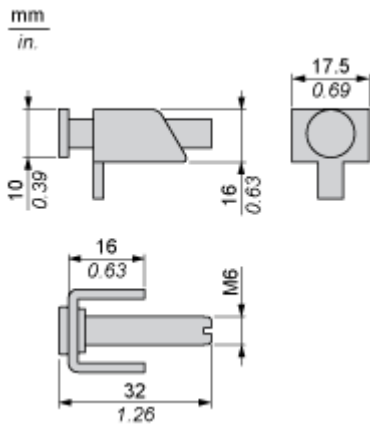
Mounting

Panel Cut Dimensions



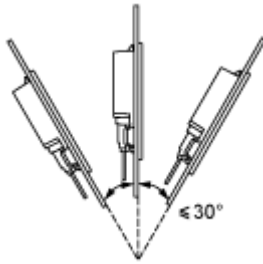
A		B		C		R	
mm	in.	mm	in.	mm	in.	mm	in.
255±1	10.04±0.04	185+1	7.28+0.04	1...5	0.04...0.19	3 max	0.12 max.

Installation Fasteners Dimensions



Installation Requirements

Mounting Angle



When installing the panel in a slanted position, and the panel face inclines more than 30°, the ambient temperature must not exceed 40 °C (104 °F).

Clearance

