

Bảng thông số sản phẩm

Thông số kỹ thuật



touch panel screen, Harmony ST6,
12inch wide display, 2COM,
2Ethernet, USB host and device,
24V DC

HMIST6600

Main

Range Of Product	Harmony ST6
Product Or Component Type	Touch panel screen
Processor Name	ARM Cortex-A8

Complementary

Display Size	12 inch
Display Type	Colour TFT LCD
Display Colour	16 million colours
Display Resolution	1280 x 800 pixels WXGA
Touch Panel	Single touch analogue resistive
Backlight Lifespan	50000 hours with white
Brightness	16 levels
Character Font	ASCII ASCII (European characters) Chinese (simplified Chinese) Japanese (ANK, Kanji) Katakana Korean Taiwanese (traditional Chinese)
[Us] Rated Supply Voltage	24 V DC (+/- 20 %)
Inrush Current	30 A
Local Signalling	Status LED green, steady for offline Status LED green, steady for operating Status LED green, flashing for operating Status LED green, faded for stand-by Status LED orange, flashing for software starting up Status LED red, steady for power supply (ON) Status LED red, flashing for operating Status LED red, off for power supply (OFF)
Power Consumption In W	18.4 W
Number Of Pages	200 application pages
Software Package	EcoStruxure Operator Terminal Expert
Processor Frequency	800 MHz
Port Ethernet	10/100BASE
Memory Description	1 GB device memory 512 KB backup memory 128 MB user data memory

Miễn trừ trách nhiệm: Tài liệu này không nhằm thay thế và không được sử dụng để xác định tính phù hợp hoặc độ tin cậy của các sản phẩm này cho các ứng dụng người dùng cụ thể

Integrated Connection Type	1 COM1 serial link - 1 SUB-D 9-pin female - RS232C (rate: 2400...115200 bps)bottom 1 COM2 serial link - female RJ45 - RS485 (rate: 2400...115200 bps)back COM2 serial link (rate: 2400...187500 bps)back 1 USB 2.0 type Abottom 1 USB 2.0 type micro B 2 Ethernet
Supply	External supply
Realtime Clock	Built-in 0...50 °C Built-in 10...90 % RH
Downloadable Protocols	Modbus Uni-TE Third party protocols
Product Brand	Schneider Electric Modicon Mitsubishi Melsec Omron Sysmac Rockwell Automation Allen-Bradley Siemens Simatic
Fixing Mode	By 4 screws, mounting on 1.6...5 mm thick panel conforming to UL 61010-2-201 By 4 screws conforming to IEC 61131-2 By 4 screws conforming to IEC 61000-6-2
Enclosure Material	PC
Front Material	Aluminium
Marking	CE
Cut-Out Dimensions	295 x 217 mm panel cut dimension
Height	235 mm
Width	313 mm
Depth	50 mm
Net Weight	1.8 kg

Environment

Immunity To Microbreaks	10 ms
Standards	IEC 61000-6-4 IEC 61000-6-2 IEC 61131-2 UL 61010-2-201 CSA C22.2 No 61010-2-201
Product Certifications	CSA CE UKCA
Directives	2014/35/EU - low voltage directive 2014/30/EU - electromagnetic compatibility
Ambient Air Temperature For Operation	0...50 °C
Ambient Air Temperature For Storage	-20...60 °C
Relative Humidity	10...90 % non-condensing
Operating Altitude	2000 m
Ip Degree Of Protection	IP20 (rear panel) conforming to IEC 61131-2 IP65 (front panel) conforming to IEC 61131-2
Nema Degree Of Protection	NEMA 4 front panel (indoor use) NEMA 13 front panel (in enclosure)
Shock Resistance	147 m/s ² for 11 ms (X, Y, Z directions for 3 times) conforming to IEC 61131-2

Vibration Resistance	+/- 3.5 mm (f = 5...9 Hz) X, Y, Z directions for 10 cycles (approx. 100 min) conforming to IEC 61131-2 9.8 m/s ² (f = 9...150 Hz)
-----------------------------	--

Electromagnetic Compatibility	Electrical fast transient/burst immunity test - test level: 2 kV (power ports) conforming to IEC 61000-4-4 Electrical fast transient/burst immunity test - test level: 1 kV (signal ports) Electrostatic discharge immunity test - test level: 6 kV (contact discharge) conforming to IEC 61000-4-2 level 3 Electrostatic discharge immunity test - test level: 8 kV (air discharge)
--------------------------------------	---

Packing Units

Unit Type Of Package 1	PCE
-------------------------------	-----

Number Of Units In Package 1	1
-------------------------------------	---

Package 1 Height	13.000 cm
-------------------------	-----------

Package 1 Width	30.500 cm
------------------------	-----------

Package 1 Length	40.500 cm
-------------------------	-----------

Package 1 Weight	2.324 kg
-------------------------	----------

Unit Type Of Package 2	S06
-------------------------------	-----

Number Of Units In Package 2	8
-------------------------------------	---

Package 2 Height	75.000 cm
-------------------------	-----------

Package 2 Width	60.000 cm
------------------------	-----------

Package 2 Length	80.000 cm
-------------------------	-----------

Package 2 Weight	28.520 kg
-------------------------	-----------

Bền vững

Nhãn **Green Premium™** là cam kết của Schneider Electric trong việc cung cấp sản phẩm với hiệu suất môi trường tốt nhất. Green Premium cam kết tuân thủ các quy định mới nhất, minh bạch về tác động môi trường, cũng như các sản phẩm tuần hoàn và CO₂ thấp.

Hướng dẫn đánh giá tính bền vững của sản phẩm là tài liệu kỹ thuật phổ thông giúp làm rõ các tiêu chuẩn nhân sinh thái toàn cầu và cách diễn giải việc khai báo môi trường.

[Tìm hiểu thêm về Green Premium >](#)

[Hướng dẫn đánh giá về sự bền vững của sản phẩm >](#)



Minh bạch **RoHS/REACH**

Hiệu suất sức khỏe

Rohs Exemption Information Yes

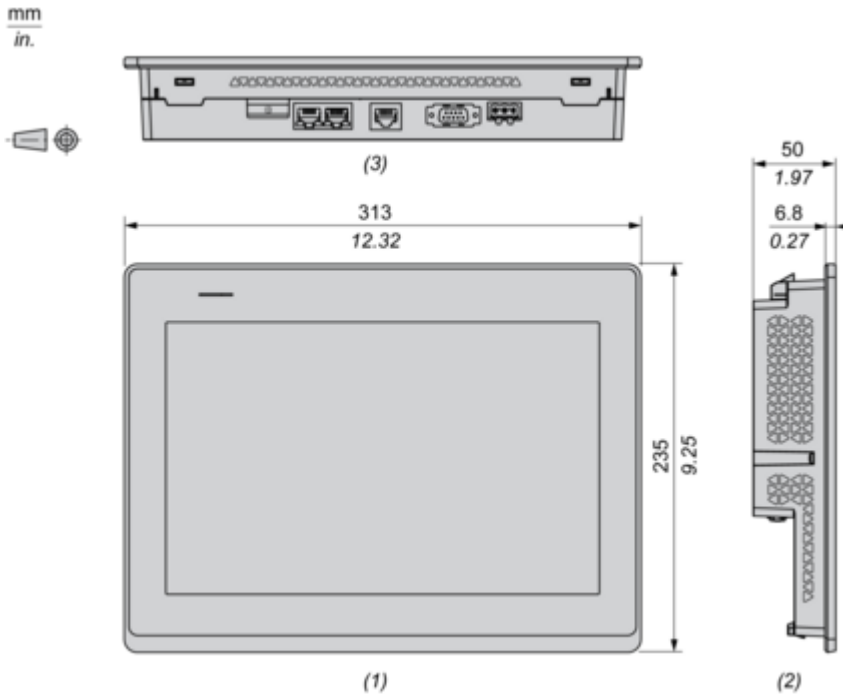
Chứng nhận & Tiêu chuẩn

Reach Regulation	REACH Declaration
Eu Rohs Directive	Pro-active compliance (Product out of EU RoHS legal scope)
China Rohs Regulation	China RoHS declaration
Environmental Disclosure	Product Environmental Profile
Weee	The product must be disposed on European Union markets following specific waste collection and never end up in rubbish bins

Dimensions Drawings

Dimensions

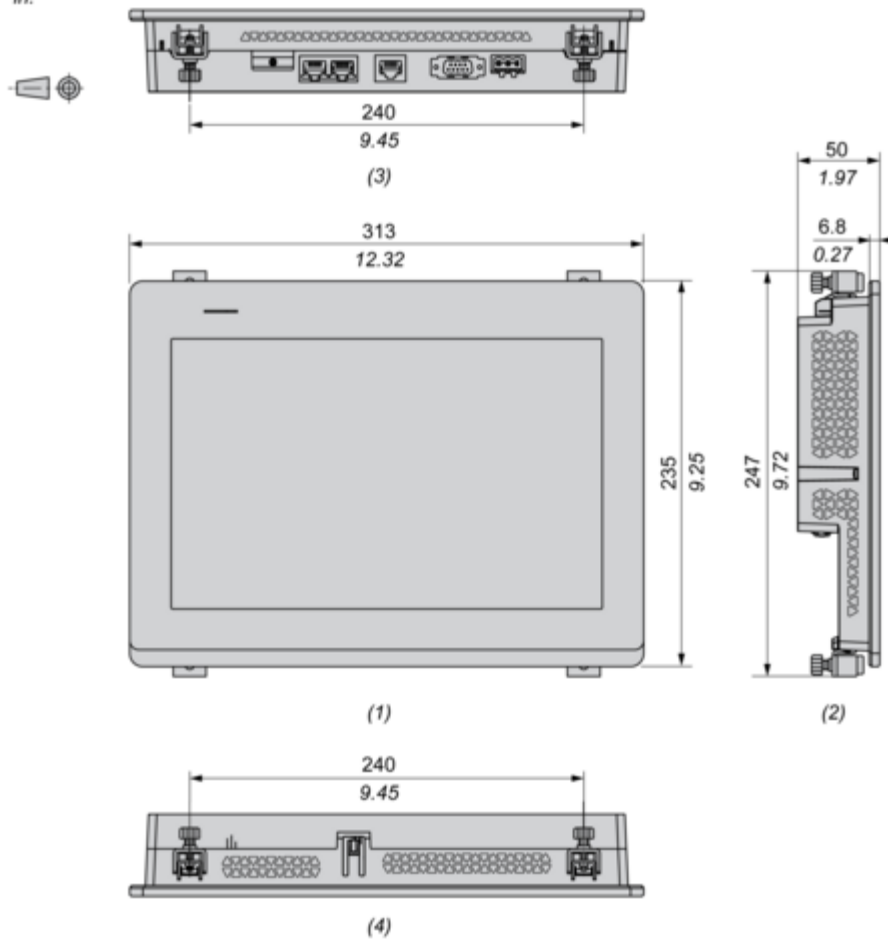
External Dimensions



- (1) : Front
- (2) : Left
- (3) : Bottom

Dimensions with Installation Fasteners

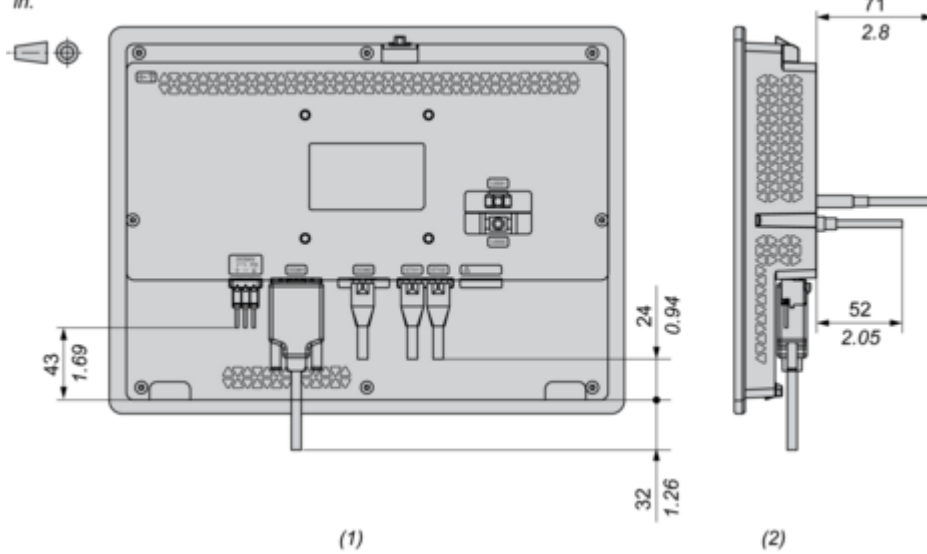
mm
in.



- (1) : Front
- (2) : Left
- (3) : Bottom
- (4) : Top

Dimensions with Cables

mm
in.

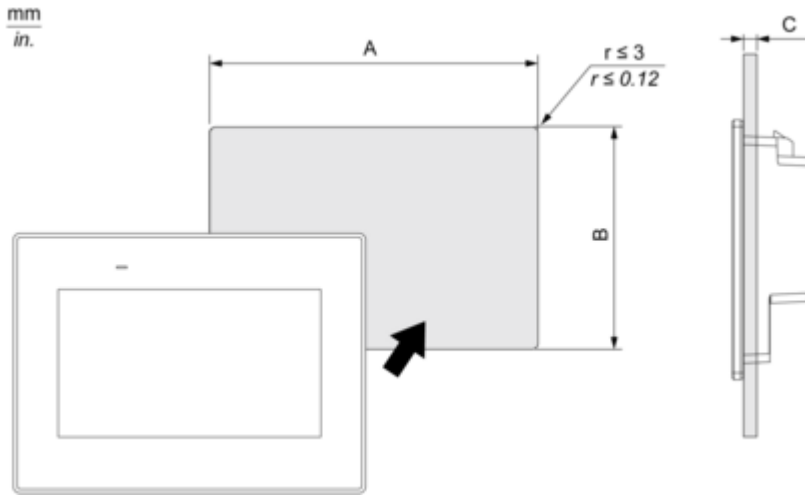


- (1) : Rear
- (2) : Right

Mounting and Clearance

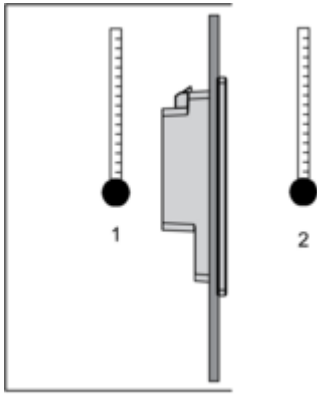
Mounting

Panel Cut Dimensions

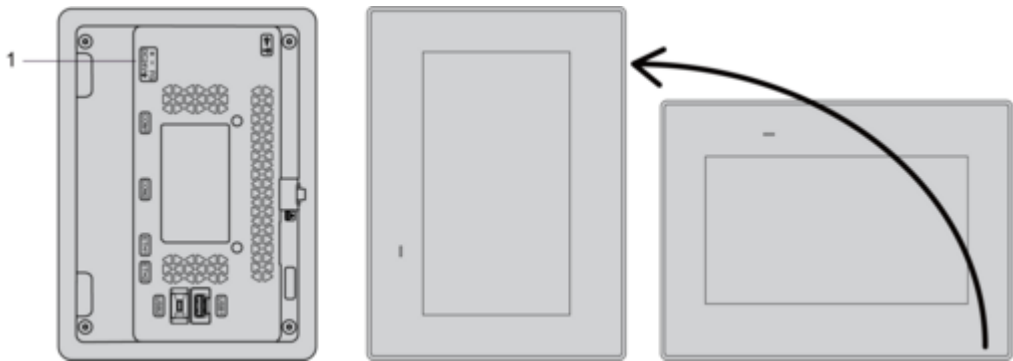


A		B		C	
mm	in.	mm	in.	mm	in.
295 (+1, -0)	11.61 (+0.04, -0)	217 (+1, -0)	8.54 (+0.04, -0)	1.6...5	0.06...0.2

Installation Requirements

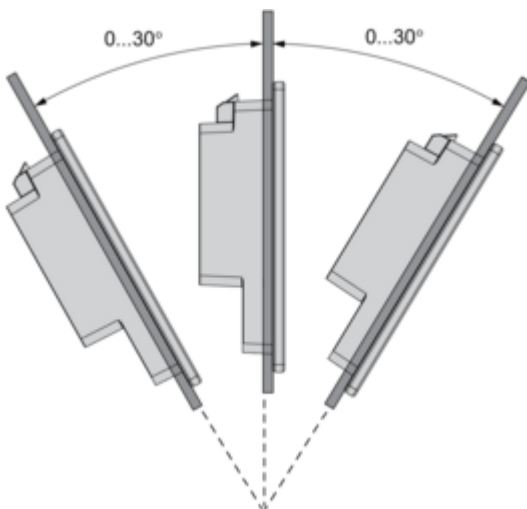


- 1 : Internal temperature
- 2 : External temperature



- 1 : Power connector

Mounting Angle



Clearance

Bảng thông số sản phẩm

HMIST6600

mm
in.

