

# Bảng thông số sản phẩm

Thông số kỹ thuật



touch panel screen, Harmony ST6,  
15inch wide display, 2COM,  
2Ethernet, USB host and device,  
24V DC

HMIST6700

## Main

Range Of Product	Harmony ST6
Product Or Component Type	Touch panel screen
Processor Name	ARM Cortex-A8

## Complementary

Display Size	15 inch
Display Type	Colour TFT LCD
Display Colour	16 million colours
Display Resolution	1366 x 768 pixels FWXGA
Touch Panel	Single touch analogue resistive
Backlight Lifespan	50000 hours with white
Brightness	16 levels
Character Font	ASCII ASCII (European characters) Chinese (simplified Chinese) Japanese (ANK, Kanji) Katakana Korean Taiwanese (traditional Chinese)
[Us] Rated Supply Voltage	24 V DC (+/- 20 %)
Inrush Current	30 A
Local Signalling	Status LED green, steady for offline Status LED green, steady for operating Status LED green, flashing for operating Status LED green, faded for stand-by Status LED orange, flashing for software starting up Status LED red, steady for power supply (ON) Status LED red, flashing for operating Status LED red, off for power supply (OFF)
Power Consumption In W	18.5 W
Number Of Pages	200 application pages
Software Package	EcoStruxure Operator Terminal Expert
Processor Frequency	800 MHz
Port Ethernet	10/100BASE
Memory Description	1 GB device memory 512 KB backup memory 128 MB user data memory

Miễn trừ trách nhiệm: Tài liệu này không nhằm thay thế và không được sử dụng để xác định tính phù hợp hoặc độ tin cậy của các sản phẩm này cho các ứng dụng người dùng cụ thể

<b>Integrated Connection Type</b>	1 COM1 serial link - 1 SUB-D 9-pin female - RS232C (rate: 2400...115200 bps)bottom 1 COM2 serial link - female RJ45 - RS485 (rate: 2400...115200 bps)back COM2 serial link (rate: 2400...187500 bps)back 1 USB 2.0 type Abottom 1 USB 2.0 type micro B 2 Ethernet
<b>Supply</b>	External supply
<b>Realtime Clock</b>	Built-in 0...50 °C Built-in 10...90 % RH
<b>Downloadable Protocols</b>	Modbus Uni-TE Third party protocols
<b>Product Brand</b>	Schneider Electric Modicon Mitsubishi Melsec Omron Sysmac Rockwell Automation Allen-Bradley Siemens Simatic
<b>Fixing Mode</b>	By 6 screws, mounting on 1.6...5 mm thick panel conforming to UL 61010-2-201 By 6 screws conforming to IEC 61131-2 By 6 screws conforming to IEC 61000-6-2
<b>Enclosure Material</b>	PC
<b>Front Material</b>	Aluminium
<b>Marking</b>	CE
<b>Cut-Out Dimensions</b>	394 x 250 mm panel cut dimension
<b>Height</b>	268 mm
<b>Width</b>	412 mm
<b>Depth</b>	50 mm
<b>Net Weight</b>	2.7 kg

## Environment

<b>Immunity To Microbreaks</b>	10 ms
<b>Standards</b>	IEC 61000-6-4 IEC 61000-6-2 IEC 61131-2 UL 61010-2-201 CSA C22.2 No 61010-2-201
<b>Product Certifications</b>	CSA CE UKCA
<b>Directives</b>	2014/35/EU - low voltage directive 2014/30/EU - electromagnetic compatibility
<b>Ambient Air Temperature For Operation</b>	0...50 °C
<b>Ambient Air Temperature For Storage</b>	-20...60 °C
<b>Relative Humidity</b>	10...90 % non-condensing
<b>Operating Altitude</b>	2000 m
<b>Ip Degree Of Protection</b>	IP20 (rear panel) conforming to IEC 61131-2 IP65 (front panel) conforming to IEC 61131-2
<b>Nema Degree Of Protection</b>	NEMA 4 front panel (indoor use) NEMA 13 front panel (in enclosure)
<b>Shock Resistance</b>	147 m/s <sup>2</sup> for 11 ms (X, Y, Z directions for 3 times) conforming to IEC 61131-2

---

<b>Vibration Resistance</b>	+/- 3.5 mm (f = 5...9 Hz) X, Y, Z directions for 10 cycles (approx. 100 min) conforming to IEC 61131-2 9.8 m/s <sup>2</sup> (f = 9...150 Hz)
-----------------------------	---

---

<b>Electromagnetic Compatibility</b>	Electrical fast transient/burst immunity test - test level: 2 kV (power ports) conforming to IEC 61000-4-4 Electrical fast transient/burst immunity test - test level: 1 kV (signal ports) Electrostatic discharge immunity test - test level: 6 kV (contact discharge) conforming to IEC 61000-4-2 level 3 Electrostatic discharge immunity test - test level: 8 kV (air discharge)
--------------------------------------	---

## Packing Units

---

<b>Unit Type Of Package 1</b>	PCE
-------------------------------	-----

---

<b>Number Of Units In Package 1</b>	1
-------------------------------------	---

---

<b>Package 1 Height</b>	13.000 cm
-------------------------	-----------

---

<b>Package 1 Width</b>	36.000 cm
------------------------	-----------

---

<b>Package 1 Length</b>	53.000 cm
-------------------------	-----------

---

<b>Package 1 Weight</b>	3.375 kg
-------------------------	----------

---

<b>Unit Type Of Package 2</b>	P06
-------------------------------	-----

---

<b>Number Of Units In Package 2</b>	8
-------------------------------------	---

---

<b>Package 2 Height</b>	75.000 cm
-------------------------	-----------

---

<b>Package 2 Width</b>	60.000 cm
------------------------	-----------

---

<b>Package 2 Length</b>	80.000 cm
-------------------------	-----------

---

<b>Package 2 Weight</b>	38.000 kg
-------------------------	-----------

## Bền vững

Nhãn **Green Premium™** là cam kết của Schneider Electric trong việc cung cấp sản phẩm với hiệu suất môi trường tốt nhất. Green Premium cam kết tuân thủ các quy định mới nhất, minh bạch về tác động môi trường, cũng như các sản phẩm tuần hoàn và CO<sub>2</sub> thấp.

**Hướng dẫn đánh giá tính bền vững của sản phẩm** là tài liệu kỹ thuật phổ thông giúp làm rõ các tiêu chuẩn nhân sinh thái toàn cầu và cách diễn giải việc khai báo môi trường.

[Tìm hiểu thêm về Green Premium >](#)

[Hướng dẫn đánh giá về sự bền vững của sản phẩm >](#)



Minh bạch RoHS/REACH

## Hiệu suất sức khỏe

Rohs Exemption Information Yes

## Chứng nhận & Tiêu chuẩn

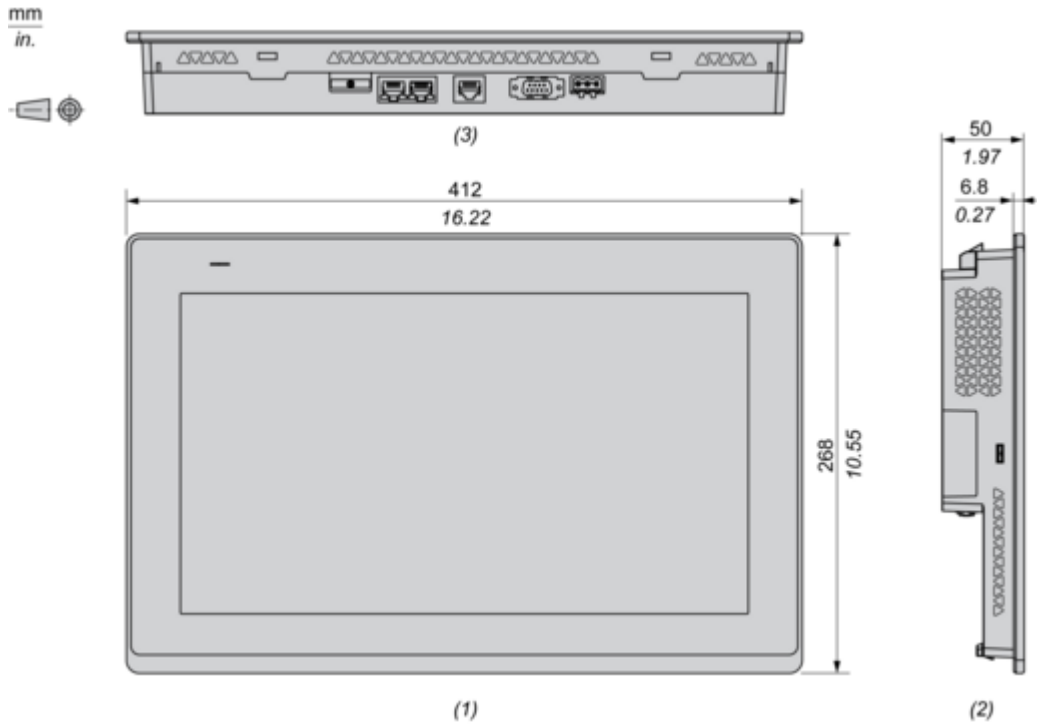
Reach Regulation	<a href="#">REACH Declaration</a>
Eu Rohs Directive	Pro-active compliance (Product out of EU RoHS legal scope)
China Rohs Regulation	<a href="#">China RoHS declaration</a>
Environmental Disclosure	<a href="#">Product Environmental Profile</a>
Weee	The product must be disposed on European Union markets following specific waste collection and never end up in rubbish bins

Dimensions Drawings

**Dimensions**

---

**External Dimensions**

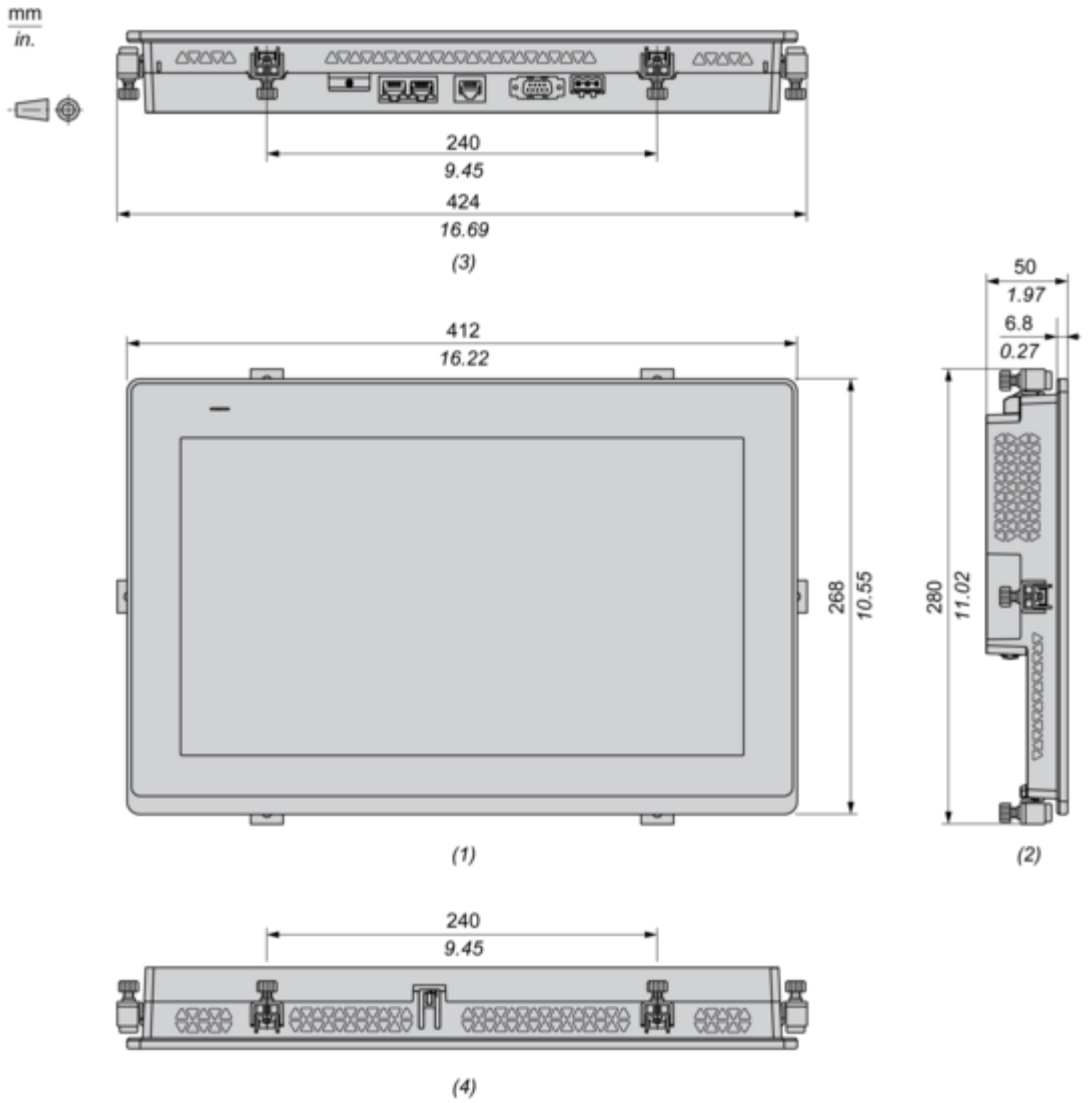


- (1) : Front
- (2) : Left
- (3) : Bottom

**Dimensions with Installation Fasteners**

# Bảng thông số sản phẩm

# HMIST6700



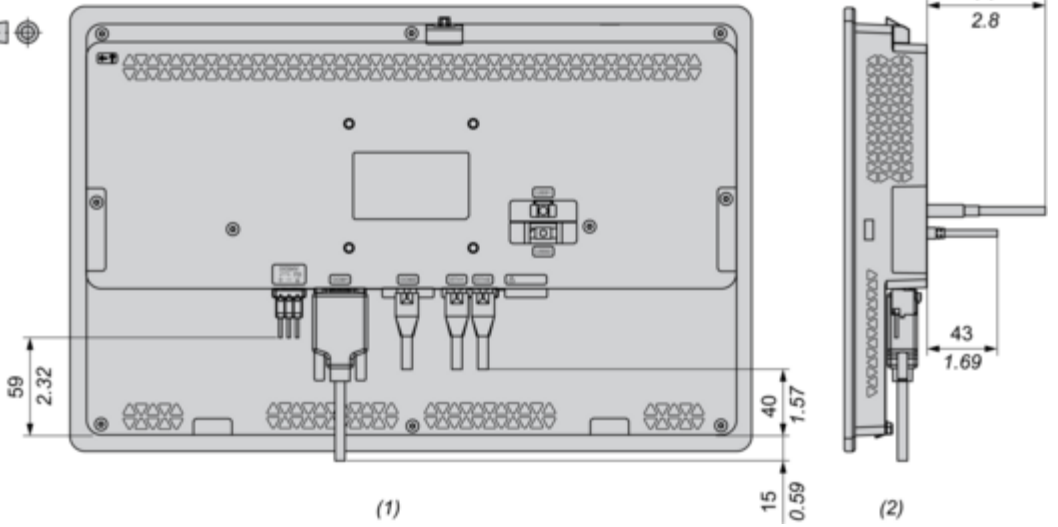
- (1) : Front
- (2) : Left
- (3) : Bottom
- (4) : Top

## Dimensions with Cables

# Bảng thông số sản phẩm

# HMIST6700

mm  
in.



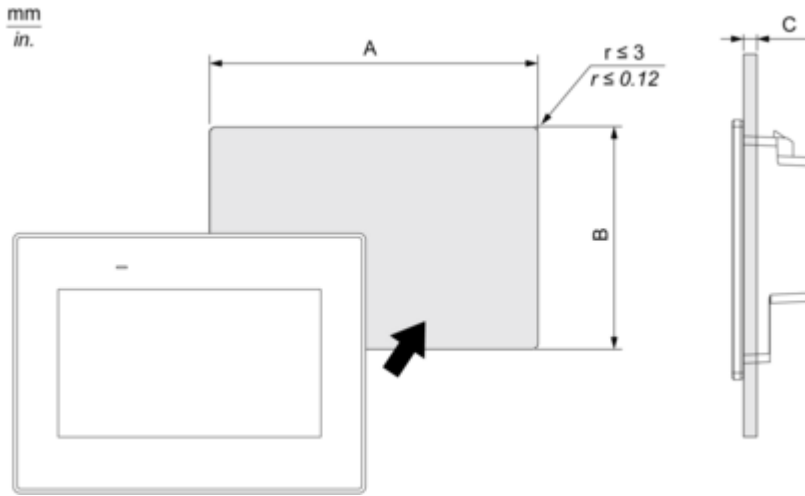
- (1) : Rear
- (2) : Right

## Mounting and Clearance

### Mounting

---

#### Panel Cut Dimensions

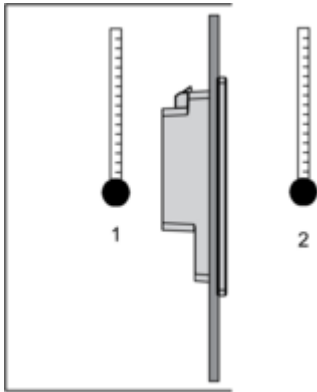


A		B		C	
mm	in.	mm	in.	mm	in.
394 (+1, -0)	15.51 (+0.04, -0)	250 (+1, -0)	9.84 (+0.04, -0)	1.6...5	0.06...0.2

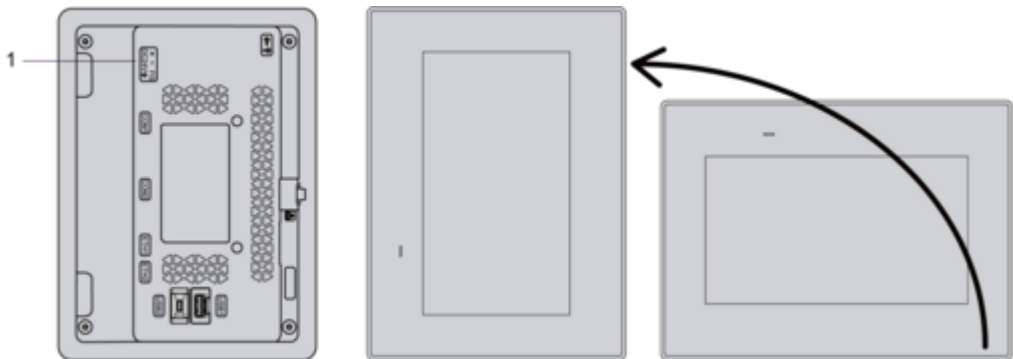


**Installation Requirements**

---

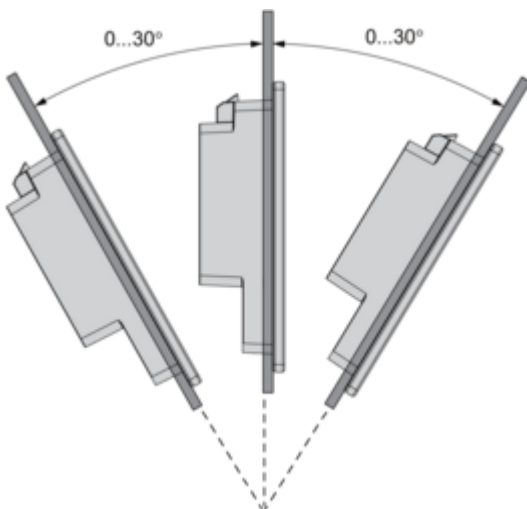


- 1 : Internal temperature
- 2 : External temperature



- 1 : Power connector

**Mounting Angle**



**Clearance**

