

Product data sheet

Specifications



touch panel screen, Harmony ST6
, 10inch wide display, 2Ethernet,
USB host and device, 24V DC

HMISTW6500

Product availability: Stock - Normally stocked in distribution facility

Price*: 1,160.00 USD

Main

| | |
|---------------------------|----------------------------|
| Range Of Product | Harmony ST6 |
| Product Or Component Type | Touch panel screen |
| Software Designation | Web interface for operator |
| Processor Name | ARM Cortex-A8 |

Complementary

| | |
|----------------------------|------------------------------------------------------------------------------------------------------------------------------------------------------------------------------------------------------------------------------------------------------------------------------------------------------------------------------------|
| Display Size | 10 inch |
| Display Type | Colour TFT LCD |
| Display Colour | 16 million colours |
| Display Resolution | 1024 x 600 pixels WSVGA |
| Touch Panel | Single touch analogue resistive |
| Backlight Lifespan | 50000 hours white |
| Brightness | 16 levels |
| Character Font | ASCII ASCII (European characters) Katakana |
| [Us] Rated Supply Voltage | 24 V DC +/- 20 %) |
| Inrush Current | 30 A |
| Local Signalling | Status LED green, steady offline Status LED green, steady operating Status LED green, flashing operating Status LED green, faded stand-by Status LED orange, flashing software starting up Status LED red, steady power supply (ON) Status LED red, flashing operating Status LED red, off power supply (OFF) |
| Power Consumption In W | 12.6 W |
| Processor Frequency | 800 MHz |
| Port Ethernet | 10/100BASE |
| Memory Description | 512 MB device memory 512 MB backup memory 128 kB user data memory |
| Integrated Connection Type | 1 USB 2.0 type Aback 1 Ethernet - female RJ45bottom |
| Supply | External supply |

Price is "List Price" and may be subject to a trade discount – check with your local distributor or retailer for actual price.

| | |
|---------------------------|-----------------------------------------------------------------------------------------------------------|
| Realtime Clock | Built-in 0...50 °C Built-in 10...90 % RH |
| Fixing Mode | By 4 screws 1.6...5 mm thick panel UL 61010-2-201 By 4 screws IEC 61131-2 By 4 screws IEC 61000-6-2 |
| Enclosure Material | PC |
| Front Material | Aluminium |
| Marking | CE |
| Cut-Out Dimensions | 255 x 185 mm panel cut dimension |
| Height | 7.99 in (203 mm) |
| Width | 10.75 in (273 mm) |
| Depth | 1.85 in (47 mm) |
| Net Weight | 2.87 lb(US) (1.3 kg) |

Environment

| | |
|----------------------------------------------|-----------------------------------------------------------------------------------------------------------------------------------------------------------------------------------------------------------------------------------------------------------------------------------------------------------------------------------------------------------------------------------------------|
| Immunity To Microbreaks | 10 ms |
| Standards | IEC 61000-6-4 IEC 61000-6-2 IEC 61131-2 UL 61010-2-201 CSA C22.2 No 61010-2-201 |
| Product Certifications | CSA CE UKCA |
| Directives | 2014/35/EU - low voltage directive 2014/30/EU - electromagnetic compatibility |
| Ambient Air Temperature For Operation | 32...122 °F (0...50 °C) |
| Ambient Air Temperature For Storage | -4...140 °F (-20...60 °C) |
| Relative Humidity | 10...90 % non-condensing |
| Operating Altitude | 6561.68 ft (2000 m) |
| Ip Degree Of Protection | IP20 IEC 61131-2 rear panel) IP65 IEC 61131-2 front panel) |
| Nema Degree Of Protection | NEMA 4 front panel (indoor use) NEMA 13 front panel (in enclosure) |
| Shock Resistance | 147 m/s ² 11 ms X, Y, Z directions for 3 times)IEC 61131-2 |
| Vibration Resistance | +/- 3.5 mm 5...9 Hz) X, Y, Z directions for 10 cycles (approx. 100 min) IEC 61131-2 9.8 m/s ² 9...150 Hz) |
| Electromagnetic Compatibility | Electrical fast transient/burst immunity test - test level: 2 kV (power ports) conforming to IEC 61000-4-4 Electrical fast transient/burst immunity test - test level: 1 kV (signal ports) Electrostatic discharge immunity test - test level: 6 kV (contact discharge) conforming to IEC 61000-4-2 level 3 Electrostatic discharge immunity test - test level: 8 kV (air discharge) |

Ordering and shipping details

| | |
|--------------------------|---------------|
| Category | US10MC222565 |
| Discount Schedule | 0MC2 |
| Gtin | 3606489918095 |
| Returnability | Yes |
| Country Of Origin | SG |

Packing Units

| | |
|-------------------------------------|--------------------------|
| Unit Type Of Package 1 | PCE |
| Number Of Units In Package 1 | 1 |
| Package 1 Height | 1.85 in (4.7 cm) |
| Package 1 Width | 7.99 in (20.3 cm) |
| Package 1 Length | 10.75 in (27.3 cm) |
| Package 1 Weight | 3.69 lb(US) (1.675 kg) |
| Unit Type Of Package 2 | S04 |
| Number Of Units In Package 2 | 4 |
| Package 2 Height | 11.81 in (30 cm) |
| Package 2 Width | 15.75 in (40 cm) |
| Package 2 Length | 23.62 in (60 cm) |
| Package 2 Weight | 17.97 lb(US) (8.15 kg) |
| Unit Type Of Package 3 | P12 |
| Number Of Units In Package 3 | 64 |
| Package 3 Height | 43.31 in (110 cm) |
| Package 3 Width | 31.50 in (80 cm) |
| Package 3 Length | 47.24 in (120 cm) |
| Package 3 Weight | 305.12 lb(US) (138.4 kg) |

Sustainability

Green Premium™ label is Schneider Electric's commitment to delivering products with best-in-class environmental performance. Green Premium promises compliance with the latest regulations, transparency on environmental impacts, as well as circular and low-CO₂ products.

Guide to assessing product sustainability is a white paper that clarifies global eco-label standards and how to interpret environmental declarations.

[Learn more about Green Premium >](#)

[Guide to assess a product's sustainability >](#)



Transparency RoHS/REACH

Well-being performance

Mercury Free

Rohs Exemption Information Yes

Certifications & Standards

Reach Regulation [REACH Declaration](#)

Eu Rohs Directive Compliant with Exemptions

China Rohs Regulation [China RoHS declaration](#)

Environmental Disclosure [Product Environmental Profile](#)

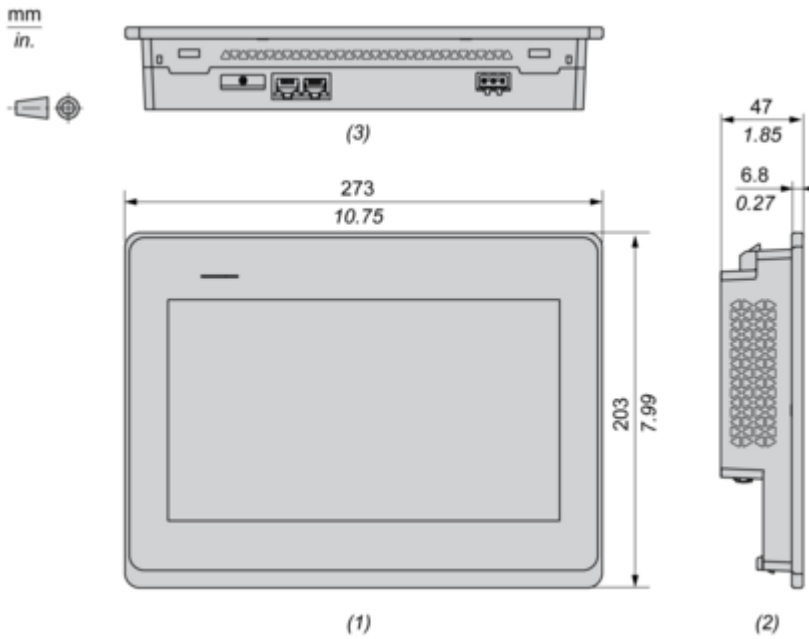
Weee The product must be disposed on European Union markets following specific waste collection and never end up in rubbish bins.

California Proposition 65 WARNING: This product can expose you to chemicals including: Lead and lead compounds, which is known to the State of California to cause cancer and birth defects or other reproductive harm. For more information go to www.P65Warnings.ca.gov

Dimensions Drawings

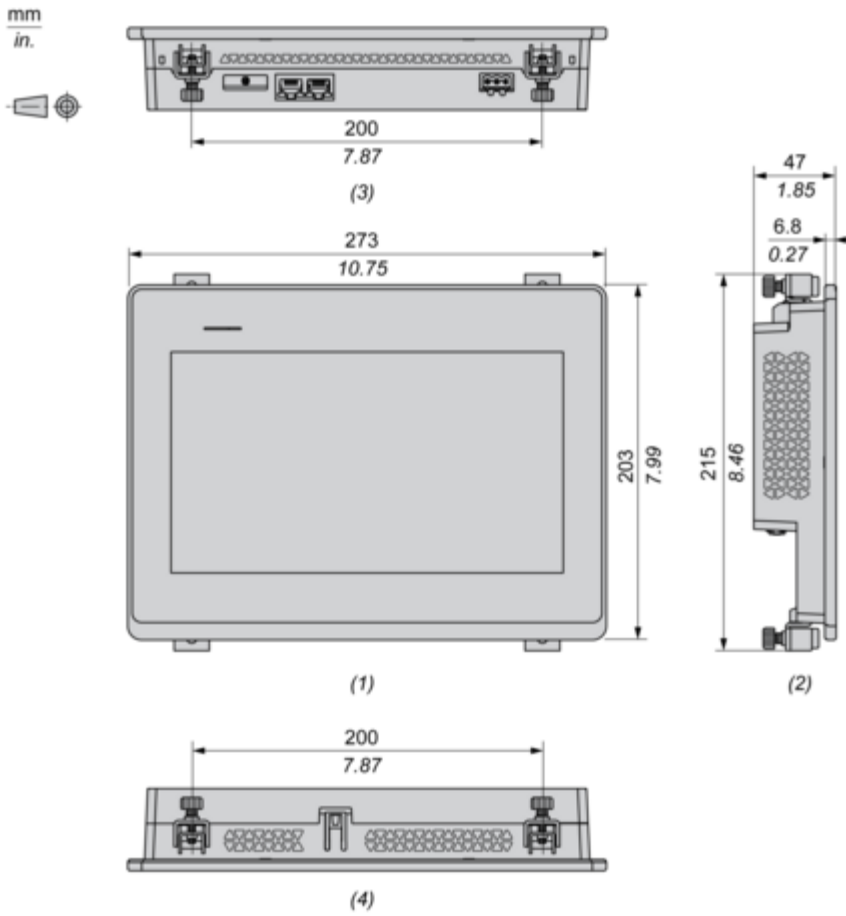
Dimensions

External Dimensions



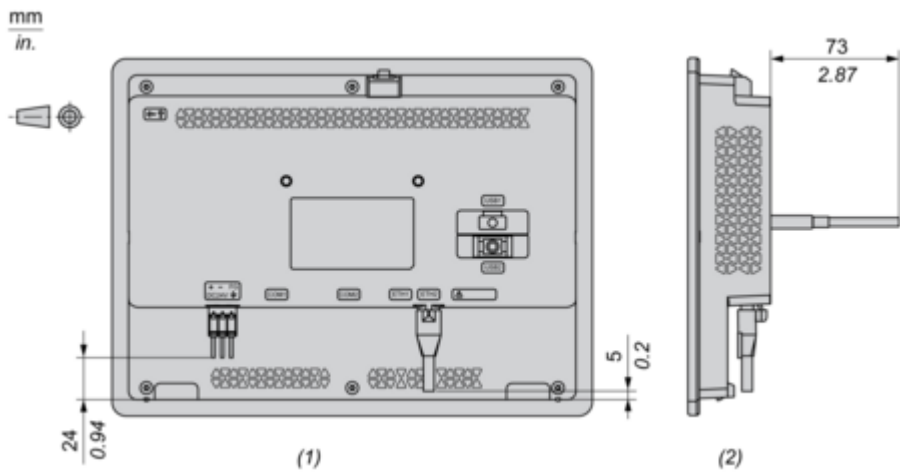
- (1) : Front
- (2) : Left
- (3) : Bottom

Dimensions with Installation Fasteners



- (1) : Front
- (2) : Left
- (3) : Bottom
- (4) : Top

Dimensions with Cables

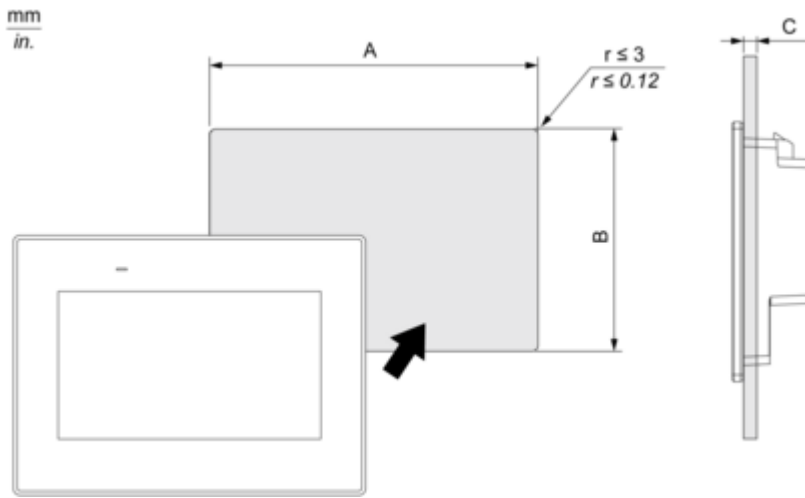


- (1) : Rear
- (2) : Right

Mounting and Clearance

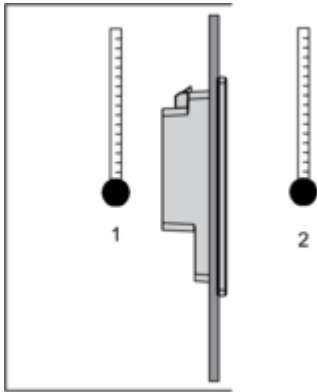
Mounting

Panel Cut Dimensions

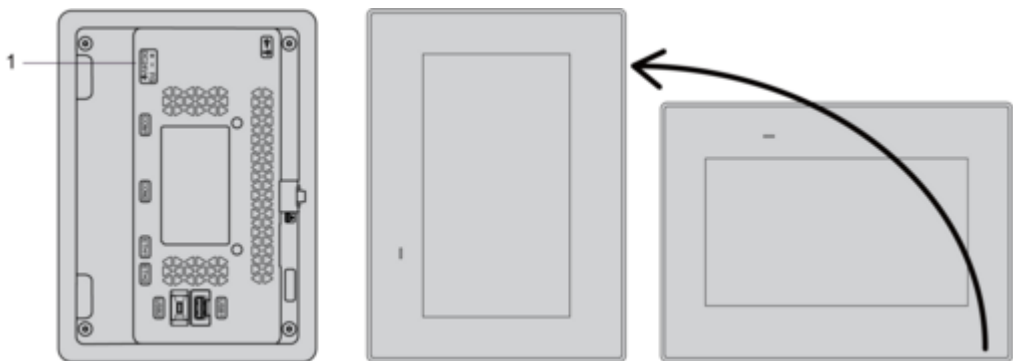


| A | | B | | C | |
|--------------|-------------------|--------------|------------------|---------|------------|
| mm | in. | mm | in. | mm | in. |
| 255 (+1, -0) | 10.04 (+0.04, -0) | 185 (+1, -0) | 7.28 (+0.04, -0) | 1.6...5 | 0.06...0.2 |

Installation Requirements

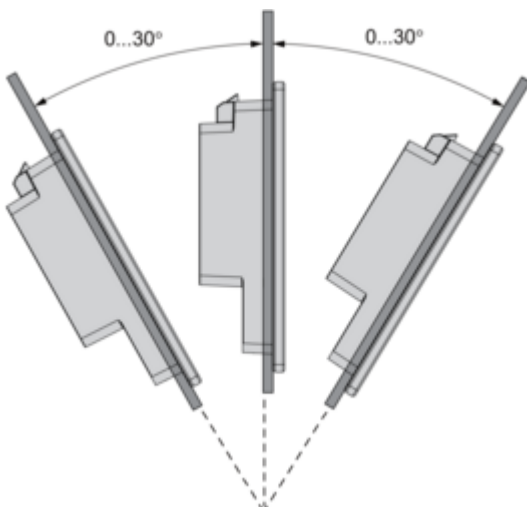


- 1 : Internal temperature
- 2 : External temperature



- 1 : Power connector

Mounting Angle



Clearance

mm
in.

