

# Product data sheet

Specifications



touch panel screen, Harmony ST6,  
12inch wide display, 2Ethernet,  
USB host and device, 24V DC

HMISTW6600

Product availability: Stock - Normally stocked in distribution facility

**Price\*: 1,560.00 USD**

## Main

Range Of Product	Harmony ST6
Product Or Component Type	Touch panel screen
Software Designation	Web interface for operator
Processor Name	ARM Cortex-A8

## Complementary

Display Size	12 inch
Display Type	Colour TFT LCD
Display Colour	16 million colours
Display Resolution	1280 x 800 pixels WXGA
Touch Panel	Single touch analogue resistive
Backlight Lifespan	50000 hours white
Brightness	16 levels
Character Font	ASCII ASCII (European characters) Katakana
[Us] Rated Supply Voltage	24 V DC +/- 20 %)
Inrush Current	30 A
Local Signalling	Status LED green, steady offline Status LED green, steady operating Status LED green, flashing operating Status LED green, faded stand-by Status LED orange, flashing software starting up Status LED red, steady power supply (ON) Status LED red, flashing operating Status LED red, off power supply (OFF)
Power Consumption In W	18.4 W
Processor Frequency	800 MHz
Port Ethernet	10/100BASE
Memory Description	512 MB device memory 512 MB backup memory 128 kB user data memory
Integrated Connection Type	1 USB 2.0 type Aback 1 Ethernet - female RJ45bottom
Supply	External supply

Price is "List Price" and may be subject to a trade discount – check with your local distributor or retailer for actual price.

<b>Realtime Clock</b>	Built-in 0...50 °C Built-in 10...90 % RH
<b>Fixing Mode</b>	By 4 screws 1.6...5 mm thick panel UL 61010-2-201 By 4 screws IEC 61131-2 By 4 screws IEC 61000-6-2
<b>Enclosure Material</b>	PC
<b>Front Material</b>	Aluminium
<b>Marking</b>	CE
<b>Cut-Out Dimensions</b>	295 x 217 mm panel cut dimension
<b>Height</b>	9.25 in (235 mm)
<b>Width</b>	12.32 in (313 mm)
<b>Depth</b>	1.97 in (50 mm)
<b>Net Weight</b>	3.97 lb(US) (1.8 kg)

## Environment

<b>Immunity To Microbreaks</b>	10 ms
<b>Standards</b>	IEC 61000-6-4 IEC 61000-6-2 IEC 61131-2 UL 61010-2-201 CSA C22.2 No 61010-2-201
<b>Product Certifications</b>	CSA CE UKCA
<b>Directives</b>	2014/35/EU - low voltage directive 2014/30/EU - electromagnetic compatibility
<b>Ambient Air Temperature For Operation</b>	32...122 °F (0...50 °C)
<b>Ambient Air Temperature For Storage</b>	-4...140 °F (-20...60 °C)
<b>Relative Humidity</b>	10...90 % non-condensing
<b>Operating Altitude</b>	6561.68 ft (2000 m)
<b>Ip Degree Of Protection</b>	IP20 IEC 61131-2 rear panel) IP65 IEC 61131-2 front panel)
<b>Nema Degree Of Protection</b>	NEMA 4 front panel (indoor use) NEMA 13 front panel (in enclosure)
<b>Shock Resistance</b>	147 m/s <sup>2</sup> 11 ms X, Y, Z directions for 3 times)IEC 61131-2
<b>Vibration Resistance</b>	+/- 3.5 mm 5...9 Hz) X, Y, Z directions for 10 cycles (approx. 100 min) IEC 61131-2 9.8 m/s <sup>2</sup> 9...150 Hz)
<b>Electromagnetic Compatibility</b>	Electrical fast transient/burst immunity test - test level: 2 kV (power ports) conforming to IEC 61000-4-4 Electrical fast transient/burst immunity test - test level: 1 kV (signal ports) Electrostatic discharge immunity test - test level: 6 kV (contact discharge) conforming to IEC 61000-4-2 level 3 Electrostatic discharge immunity test - test level: 8 kV (air discharge)

## Ordering and shipping details

<b>Category</b>	US10MC222565
<b>Discount Schedule</b>	0MC2
<b>Gtin</b>	3606489918101
<b>Returnability</b>	Yes
<b>Country Of Origin</b>	ID

## Packing Units

<b>Unit Type Of Package 1</b>	PCE
<b>Number Of Units In Package 1</b>	1
<b>Package 1 Height</b>	5.10 in (12.95 cm)
<b>Package 1 Width</b>	12.10 in (30.73 cm)
<b>Package 1 Length</b>	15.90 in (40.39 cm)
<b>Package 1 Weight</b>	5.09 lb(US) (2.31 kg)
<b>Unit Type Of Package 2</b>	CAR
<b>Number Of Units In Package 2</b>	4
<b>Package 2 Height</b>	13.39 in (34 cm)
<b>Package 2 Width</b>	16.14 in (41 cm)
<b>Package 2 Length</b>	21.26 in (54 cm)
<b>Package 2 Weight</b>	22.78 lb(US) (10.334 kg)
<b>Unit Type Of Package 3</b>	P12
<b>Number Of Units In Package 3</b>	16
<b>Package 3 Height</b>	19.09 in (48.5 cm)
<b>Package 3 Width</b>	31.50 in (80 cm)
<b>Package 3 Length</b>	47.24 in (120 cm)
<b>Package 3 Weight</b>	117.59 lb(US) (53.336 kg)

## Sustainability

**Green Premium™ label** is Schneider Electric's commitment to delivering products with best-in-class environmental performance. Green Premium promises compliance with the latest regulations, transparency on environmental impacts, as well as circular and low-CO<sub>2</sub> products.

**Guide to assessing product sustainability** is a white paper that clarifies global eco-label standards and how to interpret environmental declarations.

[Learn more about Green Premium >](#)

[Guide to assess a product's sustainability >](#)



Transparency RoHS/REACH

## Well-being performance

 Mercury Free

 RoHS Exemption Information Yes

## Certifications & Standards

Reach Regulation [REACH Declaration](#)

Eu RoHS Directive Compliant with Exemptions

China RoHS Regulation [China RoHS declaration](#)

Environmental Disclosure [Product Environmental Profile](#)

**Weee** The product must be disposed on European Union markets following specific waste collection and never end up in rubbish bins.

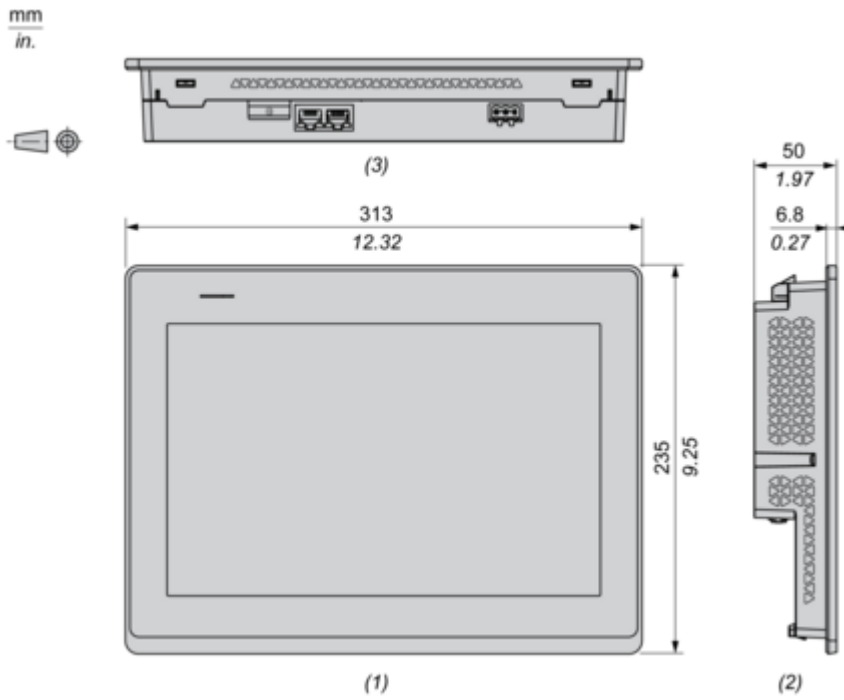
**California Proposition 65** WARNING: This product can expose you to chemicals including: Lead and lead compounds, which is known to the State of California to cause cancer and birth defects or other reproductive harm. For more information go to [www.P65Warnings.ca.gov](http://www.P65Warnings.ca.gov)

Dimensions Drawings

Dimensions

---

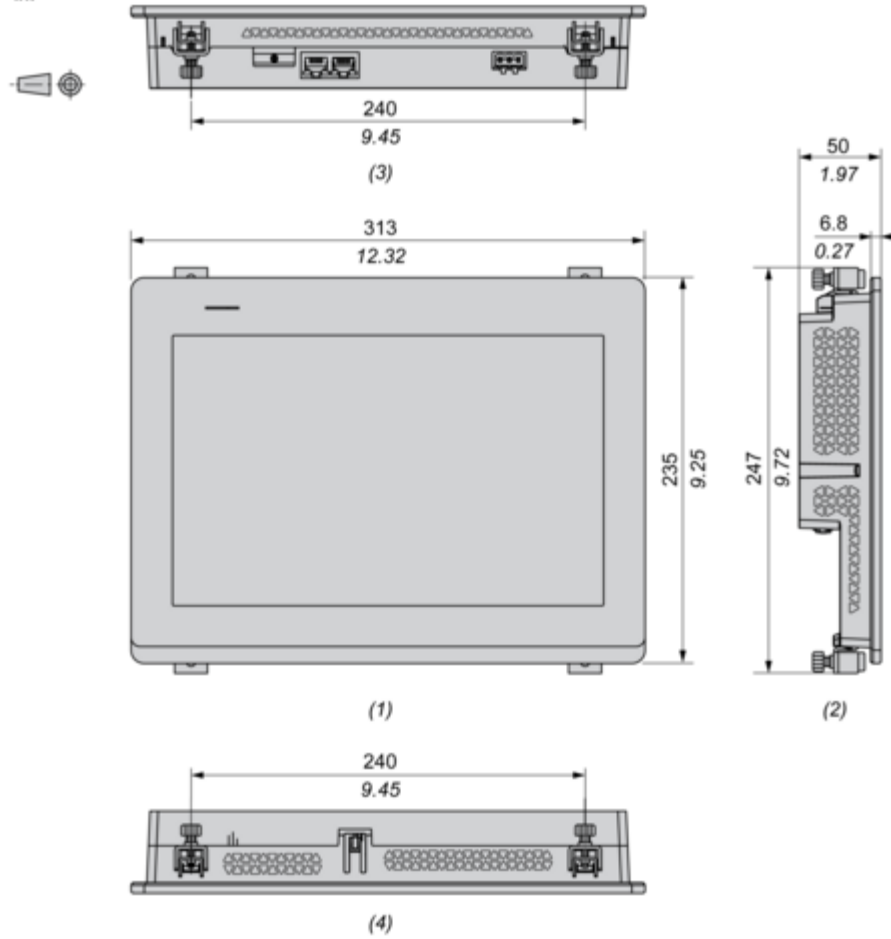
External Dimensions



- (1) : Front
- (2) : Left
- (3) : Bottom

Dimensions with Installation Fasteners

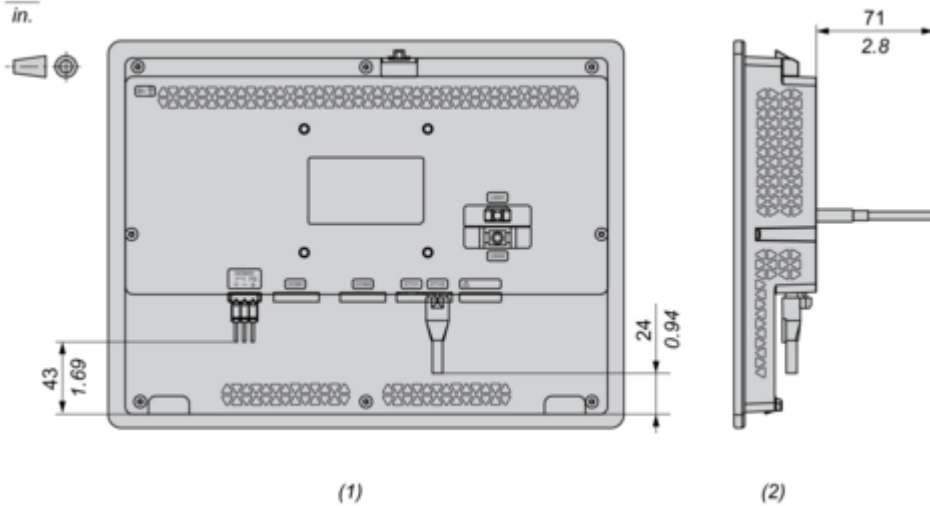
mm  
in.



- (1) : Front
- (2) : Left
- (3) : Bottom
- (4) : Top

**Dimensions with Cables**

mm  
in.



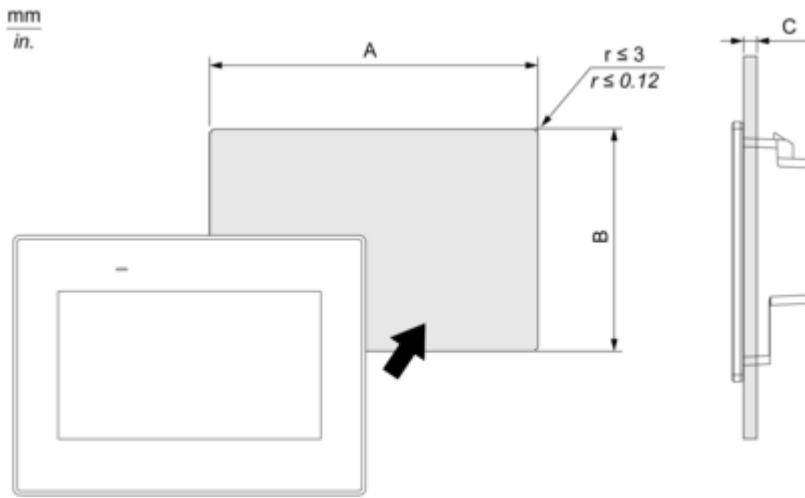
- (1) : Rear
- (2) : Right

Mounting and Clearance

Mounting

---

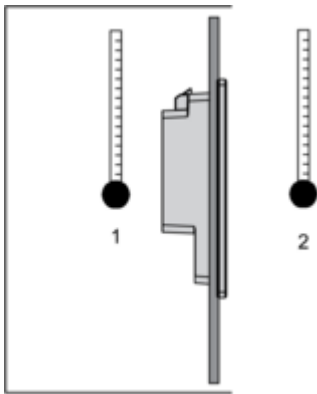
Panel Cut Dimensions



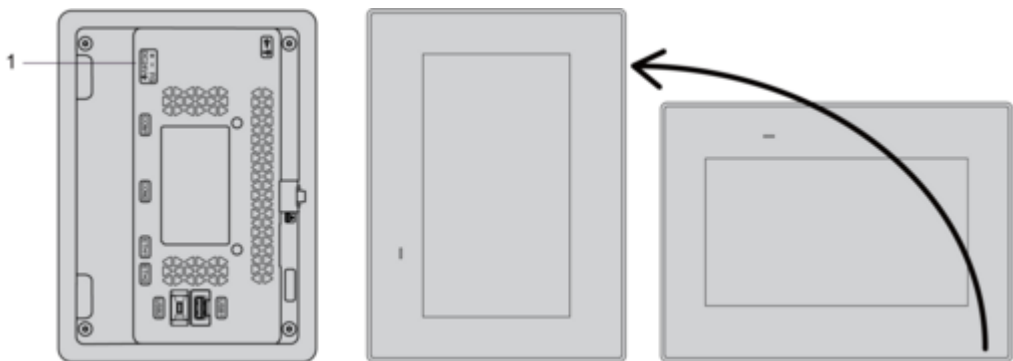
A		B		C	
mm	in.	mm	in.	mm	in.
295 (+1, -0)	11.61 (+0.04, -0)	217 (+1, -0)	8.54 (+0.04, -0)	1.6...5	0.06...0.2

Installation Requirements

---

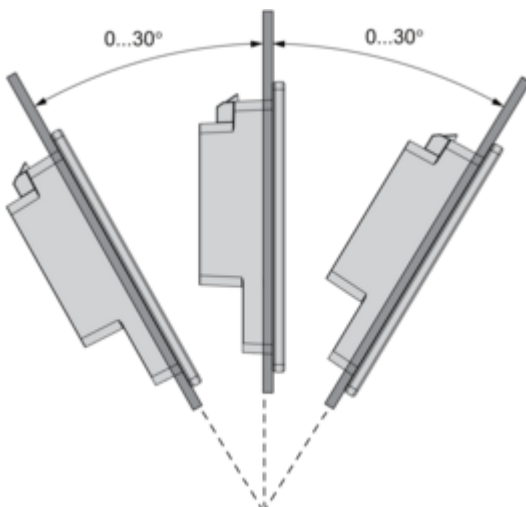


- 1 : Internal temperature
- 2 : External temperature



- 1 : Power connector

Mounting Angle



Clearance



mm  
in.

