

Product data sheet

Specifications



touch panel screen, Harmony ST6
, 15inch wide display, 2Ethernet,
USB host and device, 24V DC

HMISTW6700

Product availability: Stock - Normally stocked in distribution facility

Price*: 1,885.00 USD

Main

Range Of Product	Harmony ST6
Product Or Component Type	Touch panel screen
Software Designation	Web interface for operator
Processor Name	ARM Cortex-A8

Complementary

Display Size	15 inch
Display Type	Colour TFT LCD
Display Colour	16 million colours
Display Resolution	1366 x 768 pixels FWXGA
Touch Panel	Single touch analogue resistive
Backlight Lifespan	50000 hours white
Brightness	16 levels
Character Font	ASCII ASCII (European characters) Katakana
[Us] Rated Supply Voltage	24 V DC +/- 20 %)
Inrush Current	30 A
Local Signalling	Status LED green, steady offline Status LED green, steady operating Status LED green, flashing operating Status LED green, faded stand-by Status LED orange, flashing software starting up Status LED red, steady power supply (ON) Status LED red, flashing operating Status LED red, off power supply (OFF)
Power Consumption In W	18.5 W
Processor Frequency	800 MHz
Port Ethernet	10/100BASE
Memory Description	512 MB device memory 512 MB backup memory 128 kB user data memory
Integrated Connection Type	1 USB 2.0 type Aback 1 Ethernet - female RJ45bottom
Supply	External supply

Price is "List Price" and may be subject to a trade discount – check with your local distributor or retailer for actual price.

Realtime Clock	Built-in 0...50 °C Built-in 10...90 % RH
Fixing Mode	By 6 screws 1.6...5 mm thick panel UL 61010-2-201 By 6 screws IEC 61131-2 By 6 screws IEC 61000-6-2
Enclosure Material	PC
Front Material	Aluminium
Marking	CE
Cut-Out Dimensions	394 x 250 mm panel cut dimension
Height	10.55 in (268 mm)
Width	16.22 in (412 mm)
Depth	1.97 in (50 mm)
Net Weight	5.95 lb(US) (2.7 kg)

Environment

Immunity To Microbreaks	10 ms
Standards	IEC 61000-6-4 IEC 61000-6-2 IEC 61131-2 UL 61010-2-201 CSA C22.2 No 61010-2-201
Product Certifications	CSA CE UKCA
Directives	2014/35/EU - low voltage directive 2014/30/EU - electromagnetic compatibility
Ambient Air Temperature For Operation	32...122 °F (0...50 °C)
Ambient Air Temperature For Storage	-4...140 °F (-20...60 °C)
Relative Humidity	10...90 % non-condensing
Operating Altitude	6561.68 ft (2000 m)
Ip Degree Of Protection	IP20 IEC 61131-2 rear panel) IP65 IEC 61131-2 front panel)
Nema Degree Of Protection	NEMA 4 front panel (indoor use) NEMA 13 front panel (in enclosure)
Shock Resistance	147 m/s ² 11 ms X, Y, Z directions for 3 times)IEC 61131-2
Vibration Resistance	+/- 3.5 mm 5...9 Hz) X, Y, Z directions for 10 cycles (approx. 100 min) IEC 61131-2 9.8 m/s ² 9...150 Hz)
Electromagnetic Compatibility	Electrical fast transient/burst immunity test - test level: 2 kV (power ports) conforming to IEC 61000-4-4 Electrical fast transient/burst immunity test - test level: 1 kV (signal ports) Electrostatic discharge immunity test - test level: 6 kV (contact discharge) conforming to IEC 61000-4-2 level 3 Electrostatic discharge immunity test - test level: 8 kV (air discharge)

Ordering and shipping details

Category	US10MC222565
Discount Schedule	0MC2
Gtin	3606489918118
Returnability	Yes
Country Of Origin	US

Packing Units

Unit Type Of Package 1	PCE
Number Of Units In Package 1	1
Package 1 Height	1.97 in (5 cm)
Package 1 Width	10.55 in (26.8 cm)
Package 1 Length	16.22 in (41.2 cm)
Package 1 Weight	7.78 lb(US) (3.53 kg)
Unit Type Of Package 2	S04
Number Of Units In Package 2	2
Package 2 Height	11.81 in (30 cm)
Package 2 Width	15.75 in (40 cm)
Package 2 Length	23.62 in (60 cm)
Package 2 Weight	16.98 lb(US) (7.7 kg)
Unit Type Of Package 3	P12
Number Of Units In Package 3	32
Package 3 Height	43.31 in (110 cm)
Package 3 Width	31.50 in (80 cm)
Package 3 Length	47.24 in (120 cm)
Package 3 Weight	293.13 lb(US) (132.96 kg)

Sustainability

Green Premium™ label is Schneider Electric's commitment to delivering products with best-in-class environmental performance. Green Premium promises compliance with the latest regulations, transparency on environmental impacts, as well as circular and low-CO₂ products.

Guide to assessing product sustainability is a white paper that clarifies global eco-label standards and how to interpret environmental declarations.

[Learn more about Green Premium >](#)

[Guide to assess a product's sustainability >](#)



Transparency RoHS/REACH

Well-being performance

 Mercury Free

 Rohs Exemption Information Yes

Certifications & Standards

Reach Regulation [REACH Declaration](#)

Eu Rohs Directive Compliant with Exemptions

China Rohs Regulation [China RoHS declaration](#)

Environmental Disclosure [Product Environmental Profile](#)

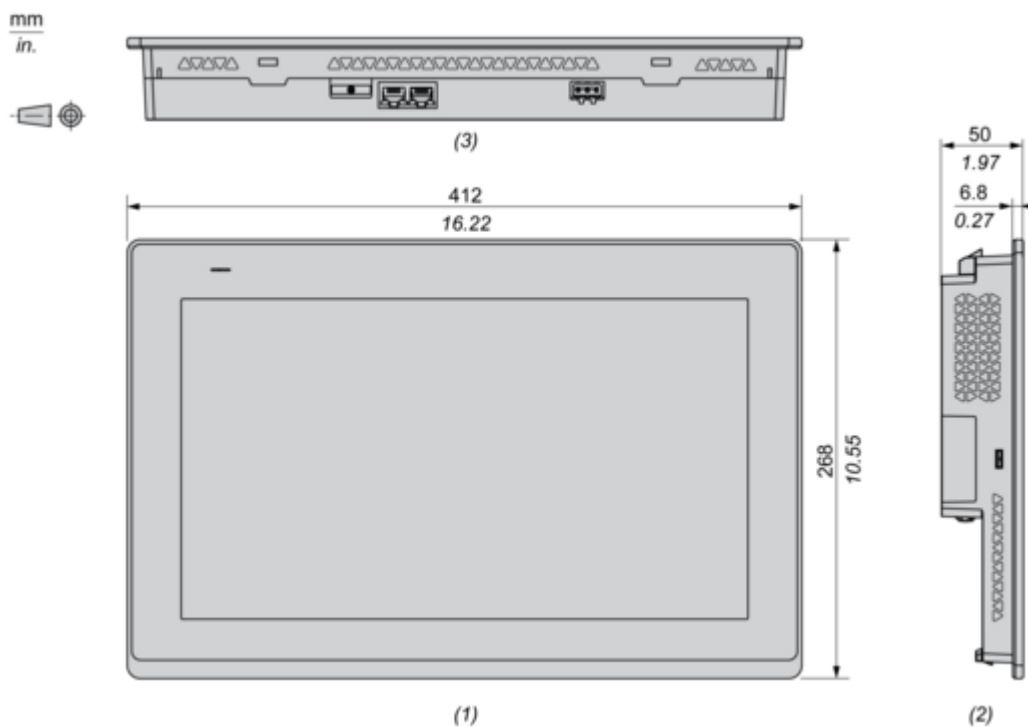
Weee The product must be disposed on European Union markets following specific waste collection and never end up in rubbish bins.

California Proposition 65 WARNING: This product can expose you to chemicals including: Lead and lead compounds, which is known to the State of California to cause cancer and birth defects or other reproductive harm. For more information go to www.P65Warnings.ca.gov

Dimensions Drawings

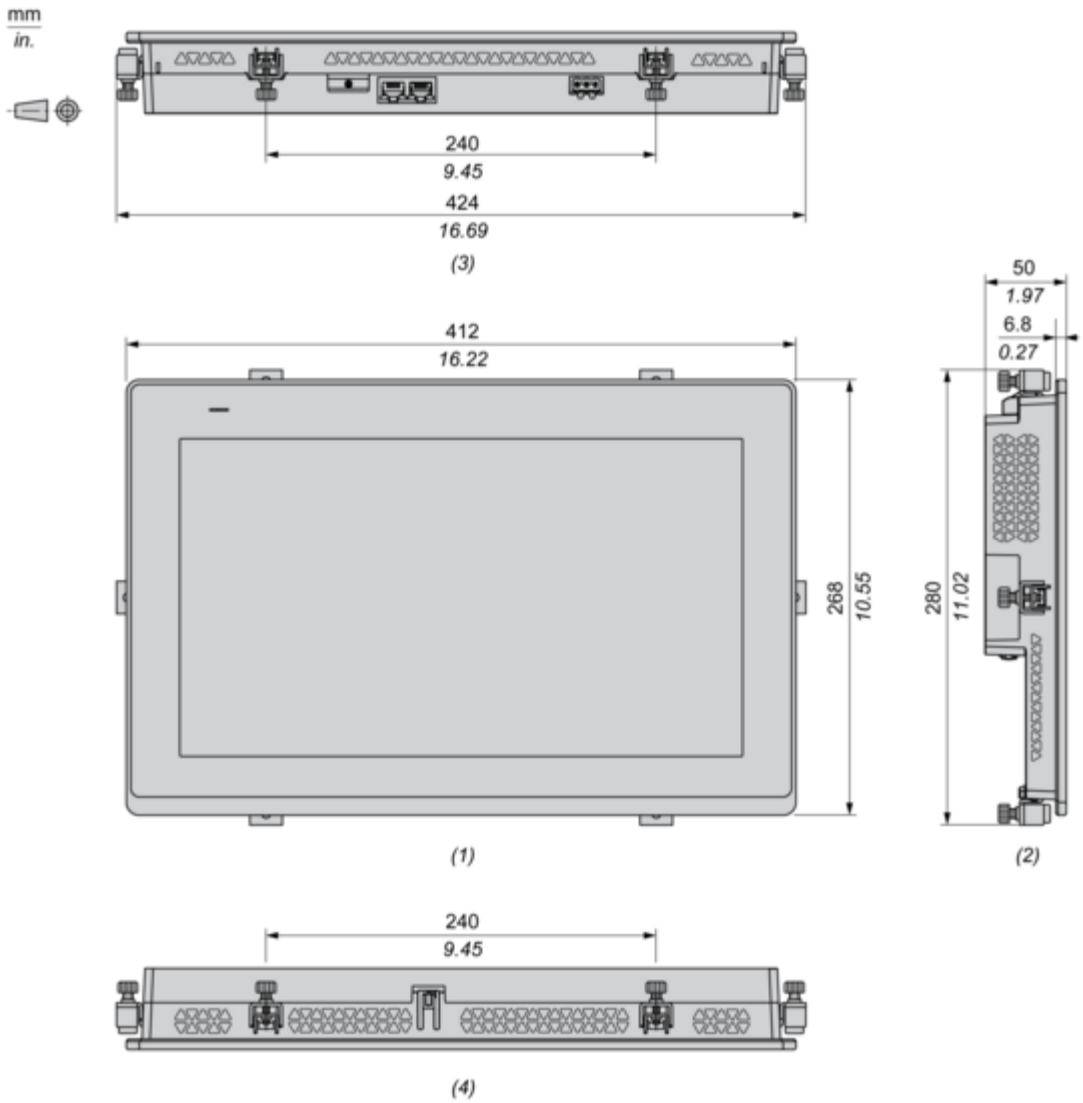
Dimensions

External Dimensions



- (1) : Front
- (2) : Left
- (3) : Bottom

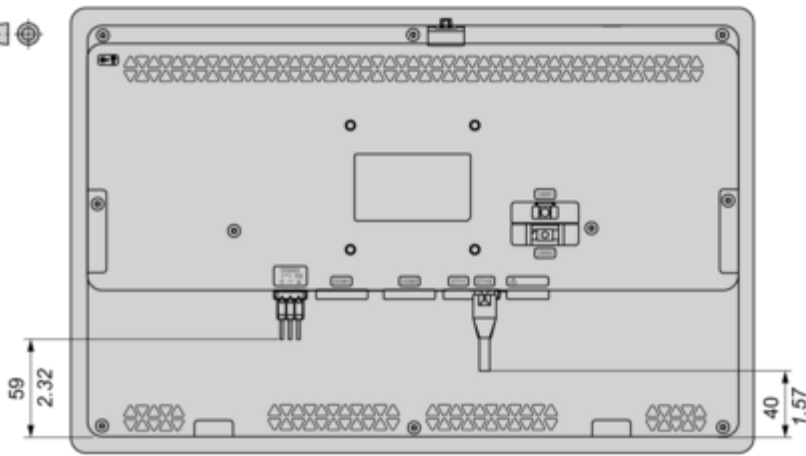
Dimensions with Installation Fasteners



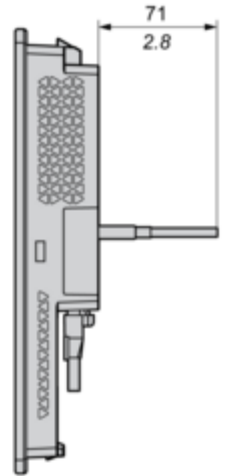
- (1) : Front
- (2) : Left
- (3) : Bottom
- (4) : Top

Dimensions with Cables

mm
in.



(1)



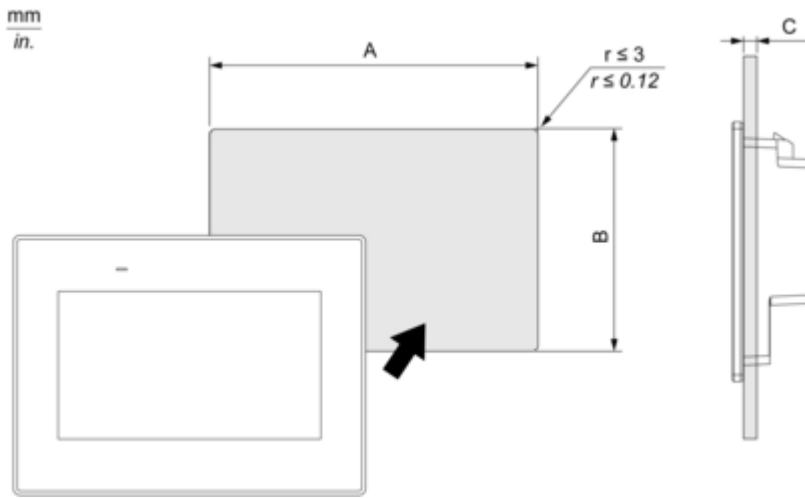
(2)

- (1) : Rear
- (2) : Right

Mounting and Clearance

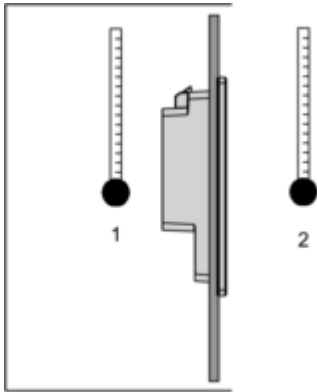
Mounting

Panel Cut Dimensions

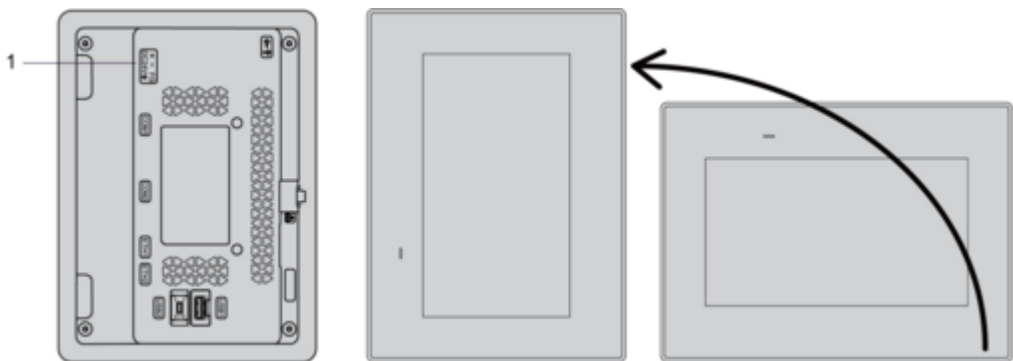


A		B		C	
mm	in.	mm	in.	mm	in.
394 (+1, -0)	15.51 (+0.04, -0)	250 (+1, -0)	9.84 (+0.04, -0)	1.6...5	0.06...0.2

Installation Requirements

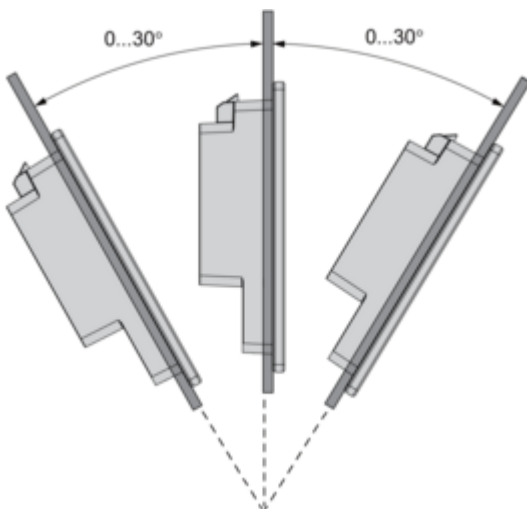


- 1 : Internal temperature
- 2 : External temperature



- 1 : Power connector

Mounting Angle



Clearance

mm
in.

