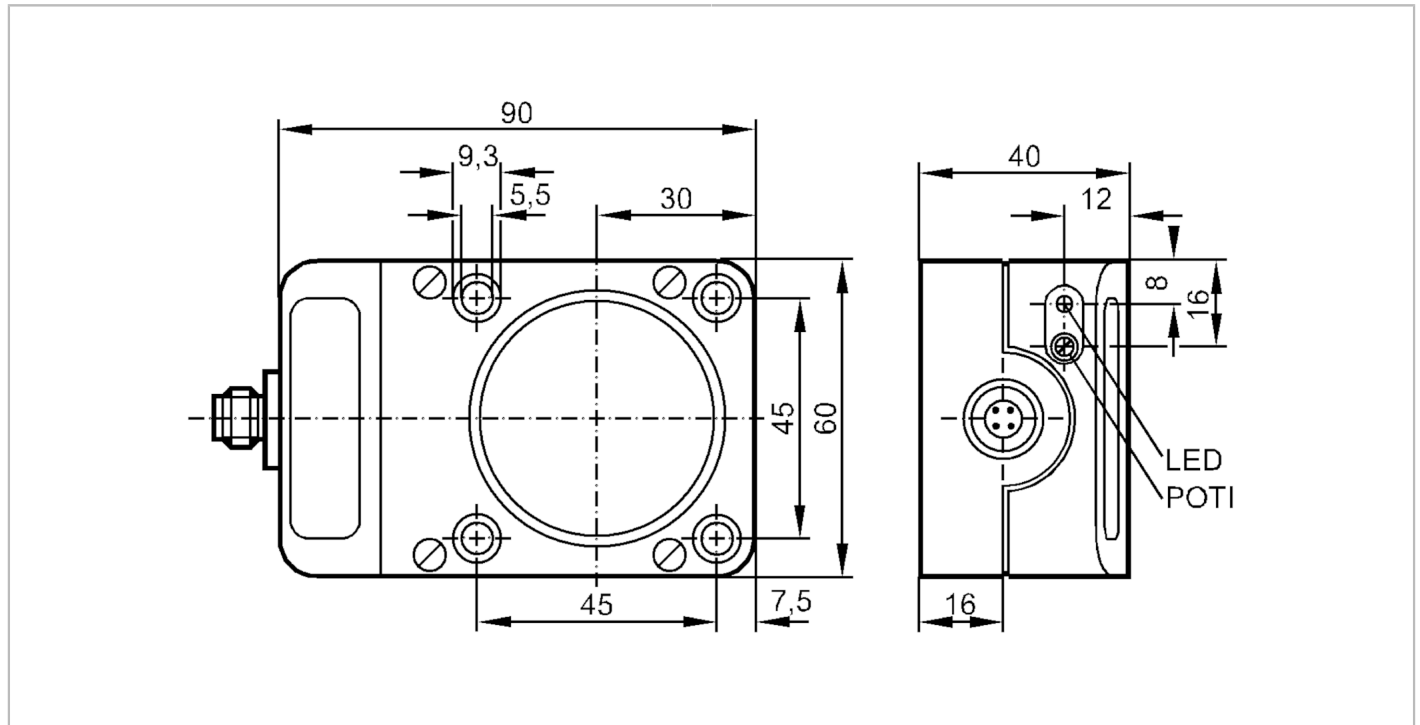


IC5007



Inductive sensor

ICE3040-BPKG/US-100-DPS



Product characteristics

Electrical design		PNP
Output function		normally open
Sensing range	[mm]	40
Housing		rectangular

Electrical data

Operating voltage	[V]	10...36 DC
Current consumption	[mA]	15; (24 V)
Protection class		II
Reverse polarity protection		yes

Outputs

Electrical design		PNP
Output function		normally open
Max. voltage drop switching output DC	[V]	2.5
Permanent current rating of switching output DC	[mA]	250
Switching frequency DC	[Hz]	6
Short-circuit protection		yes
Type of short-circuit protection		pulsed
Overload protection		yes

Detection zone

Sensing range	[mm]	40
Sensing range adjustable		yes

IC5007



Inductive sensor

ICE3040-BPKG/US-100-DPS

Factory setting sensing range [mm]	40
Real sensing range Sr [mm]	40 ± 10 %
Operating distance [mm]	0...32.4

Accuracy / deviations

Correction factor	steel: 1 / stainless steel: 0.7 / brass: 0.5 / aluminium: 0.4 / copper: 0.3
Hysteresis [% of Sr]	3...15
Switch point drift [% of Sr]	-10...10

Operating conditions

Ambient temperature [°C]	-25...80
Protection	IP 65

Tests / approvals

EMC	EN 60947-5-2	
	EN 55011	class B
MTTF [years]	1261	

Mechanical data

Weight [g]	279.5
Housing	rectangular
Mounting	non-flush mountable
Materials	PPE modified

Displays / operating elements

Display	switching status	1 x LED, yellow
---------	------------------	-----------------

Accessories

Items supplied	screwdriver: 1
	spring washers: 4
	cylinder screws: 4 x M5 x 35

Remarks

Pack quantity	1 pcs.
---------------	--------

Electrical connection - plug

Connector: 1 x M12; coding: A



IC5007



Inductive sensor

ICE3040-BPKG/US-100-DPS

Connection

