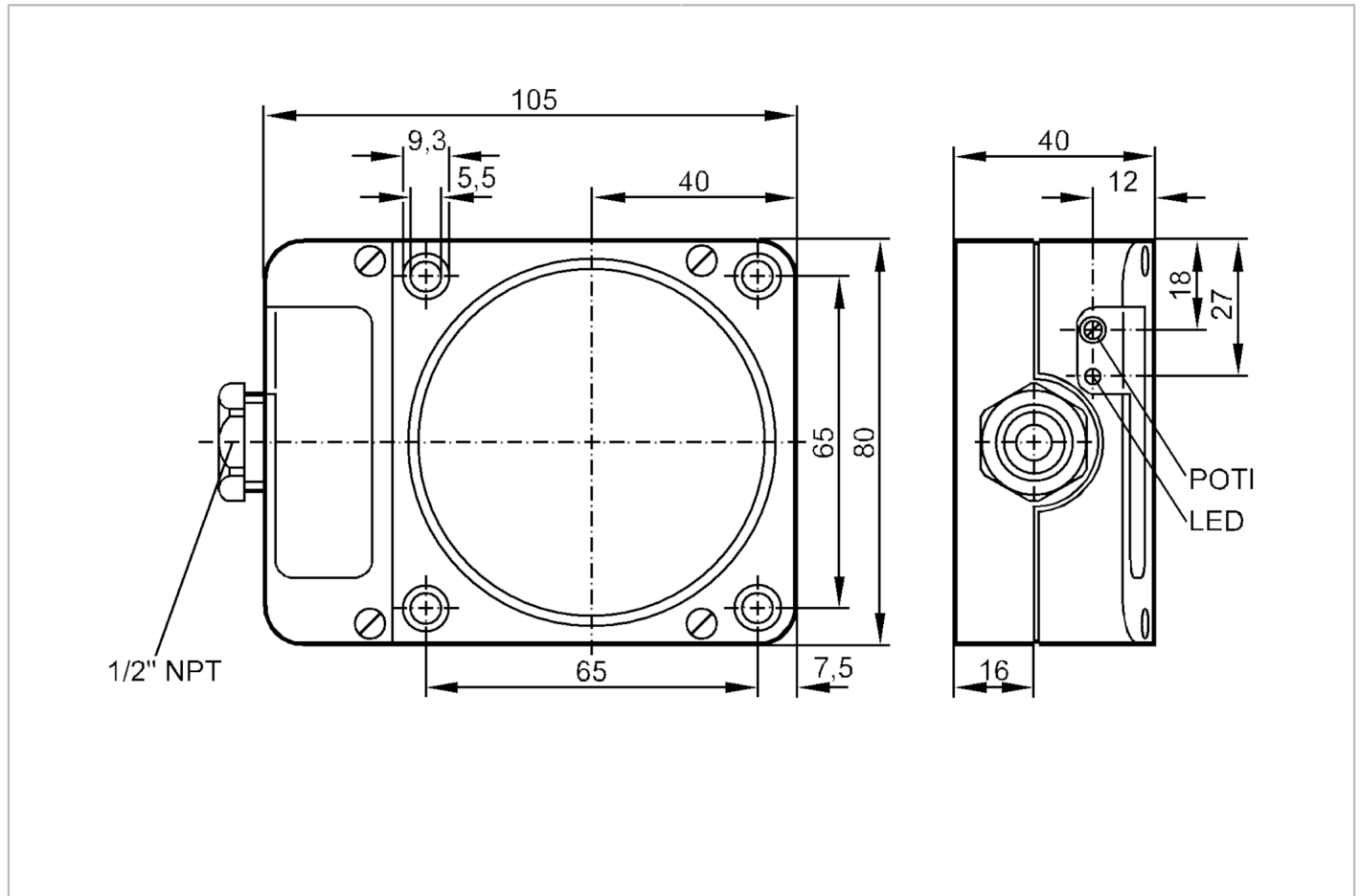




Inductive sensor

IDE2060-FBOA/NPT/RT



Product characteristics	
Output function	normally open / normally closed; (selectable)
Sensing range [mm]	60
Housing	rectangular
Electrical data	
Operating voltage [V]	20...250 AC/DC
Protection class	II
Reverse polarity protection	no
Outputs	
Output function	normally open / normally closed; (selectable)
Max. voltage drop switching output DC [V]	6.5
Max. voltage drop switching output AC [V]	6.5
Minimum load current [mA]	5
Max. leakage current [mA]	2.5 (250 V AC) / 1.3 (110 V AC) / 1 (24 V DC)
Permanent current rating of switching output AC [mA]	250; (350 (...50 °C))
Permanent current rating of switching output DC [mA]	100

ID0036



Inductive sensor

IDE2060-FBOA/NPT/RT

Short-time current rating of switching output [mA]	2200; (20 ms / 0,5 Hz)
Switching frequency AC [Hz]	4
Switching frequency DC [Hz]	4
Short-circuit proof	no
Overload protection	no

Detection zone	
Sensing range [mm]	60
Sensing range adjustable	yes
Factory setting sensing range [mm]	60
Real sensing range Sr [mm]	60 ± 10 %
Operating distance [mm]	0...48.6

Accuracy / deviations	
Correction factor	steel: 1 / stainless steel: 0.7 / brass: 0.4 / aluminium: 0.3 / copper: 0.2
Hysteresis [% of Sr]	1...15
Switch point drift [% of Sr]	-10...10

Operating conditions	
Ambient temperature [°C]	-25...80
Protection	IP 65

Tests / approvals		
EMC	EN 60947-5-2	
	EN 55011	class B
MTTF [years]		460
UL approval	Ta	0...40 °C
	Enclosure type	Type 1
	power supply	Hazardous voltage
	File number UL	E174191

Mechanical data	
Weight [g]	450.5
Housing	rectangular
Mounting	non-flush mountable
Materials	PPE

Displays / operating elements		
Display	switching status	1 x LED, red

Electrical connection	
Required protection	miniature fuse to IEC60127-2 sheet 1; ≤ 2 A; fast acting

Accessories	
Items supplied	screwdriver: 1

Remarks	
Remarks	Recommendation: Check the safe functioning of the unit after a short circuit.
Pack quantity	1 pcs.

ID0036



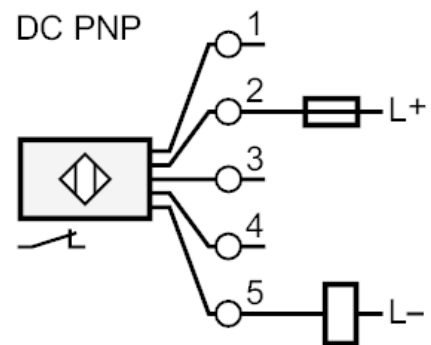
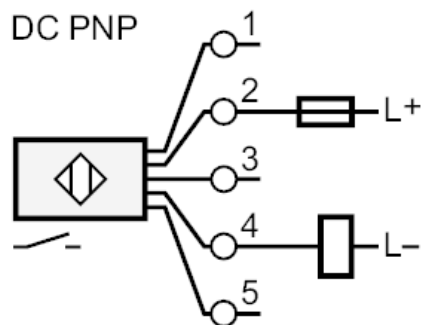
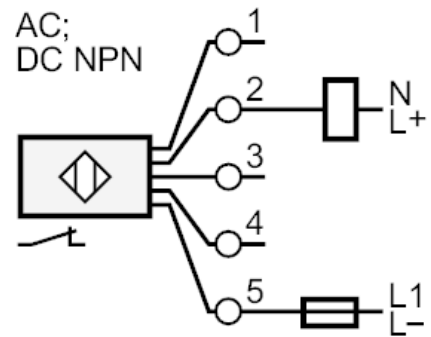
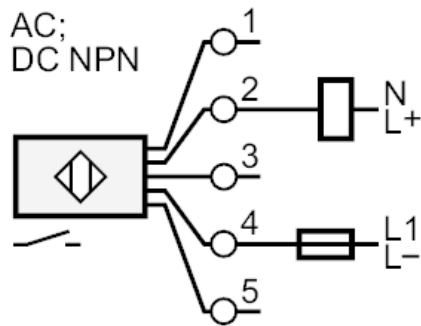
Inductive sensor

IDE2060-FBOA/NPT/RT

Electrical connection

terminals: ...2.5 mm²; Cable sheath: Ø 7...13 mm

Connection



Note miniature fuse to IEC60127-2 sheet 1 ≤ 2 A fast acting