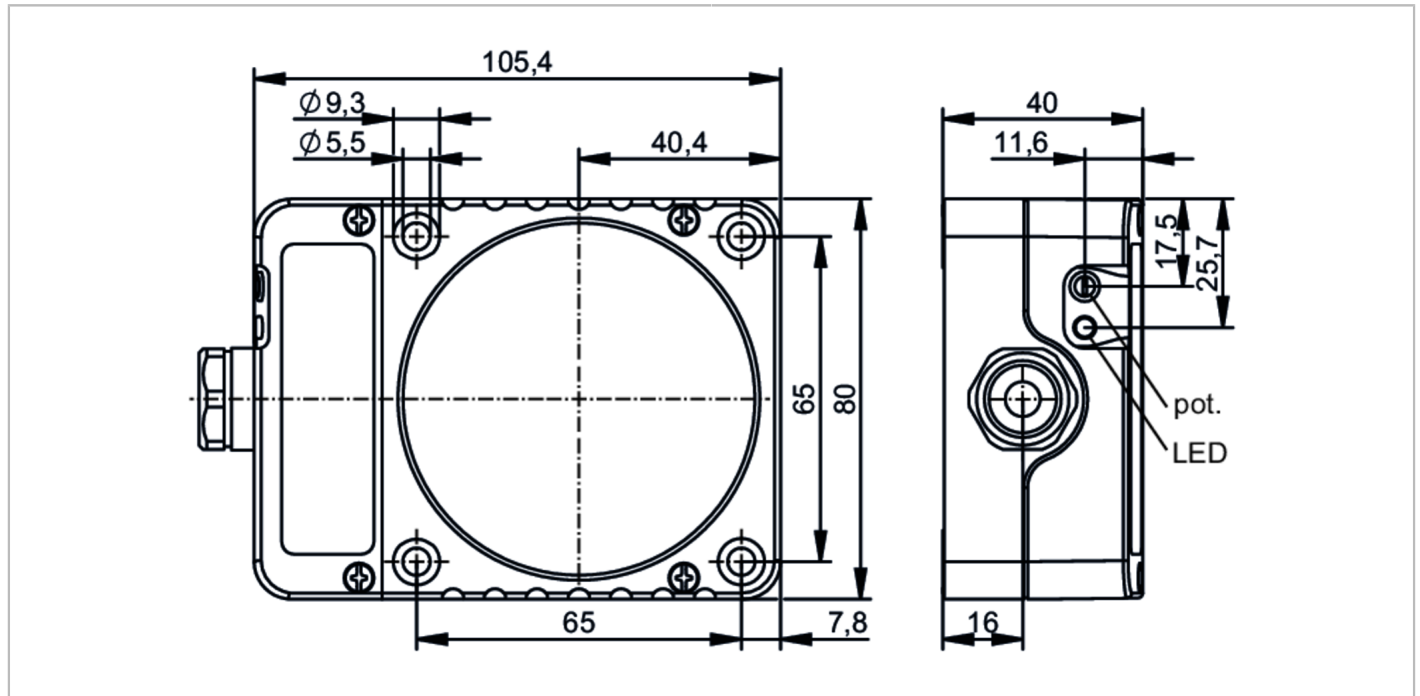


ID5005



Inductive sensor

IDE3060-FPKG



Product characteristics

Electrical design		PNP
Output function		normally open / normally closed; (selectable)
Sensing range	[mm]	60
Housing		rectangular
Dimensions	[mm]	105 x 80 x 40

Electrical data

Operating voltage	[V]	10...36 DC
Current consumption	[mA]	15; (24 V)
Protection class		II
Reverse polarity protection		yes

Outputs

Electrical design		PNP
Output function		normally open / normally closed; (selectable)
Max. voltage drop switching output DC	[V]	2.5
Permanent current rating of switching output DC	[mA]	250
Switching frequency DC	[Hz]	100
Short-circuit protection		yes
Overload protection		yes

Detection zone

Sensing range	[mm]	60
Sensing range adjustable		yes
Factory setting sensing range	[mm]	60

ID5005



Inductive sensor

IDE3060-FPKG

Real sensing range Sr	[mm]	60 ± 10 %
Operating distance	[mm]	0...48.6
Accuracy / deviations		
Correction factor		steel: 1 / stainless steel: 0.7 / brass: 0.4 / aluminium: 0.3 / copper: 0.2
Hysteresis	[% of Sr]	1...15
Switch point drift	[% of Sr]	-10...10
Operating conditions		
Ambient temperature	[°C]	-25...80
Protection		IP 65
Tests / approvals		
EMC	EN 61000-4-2 ESD	- CD / 8 kV AD
	EN 61000-4-3 HF radiated	10 V/m
	EN 61000-4-4 Burst	2 kV
	EN 61000-4-5 Surge	0,5 kV line to line, Ri: 2 Ohm
	EN 61000-4-6 HF conducted	10 V
	EN 55011	class B
MTTF	[years]	1277
UL approval	Ta	0...40 °C
	Enclosure type	Type 1
	power supply	Hazardous voltage
	File number UL	E174191
Mechanical data		
Weight	[g]	434
Housing		rectangular
Mounting		non-flush mountable
Dimensions	[mm]	105 x 80 x 40
Materials		PPE
Displays / operating elements		
Display	switching status	1 x LED, yellow
Accessories		
Items supplied		screwdriver: 1
Remarks		
Pack quantity		1 pcs.

ID5005



Inductive sensor

IDE3060-FPKG

Electrical connection

terminals: ...2.5 mm²; Cable sheath: Ø 7...13 mm; Cable gland: M20 X 1.5

Connection

