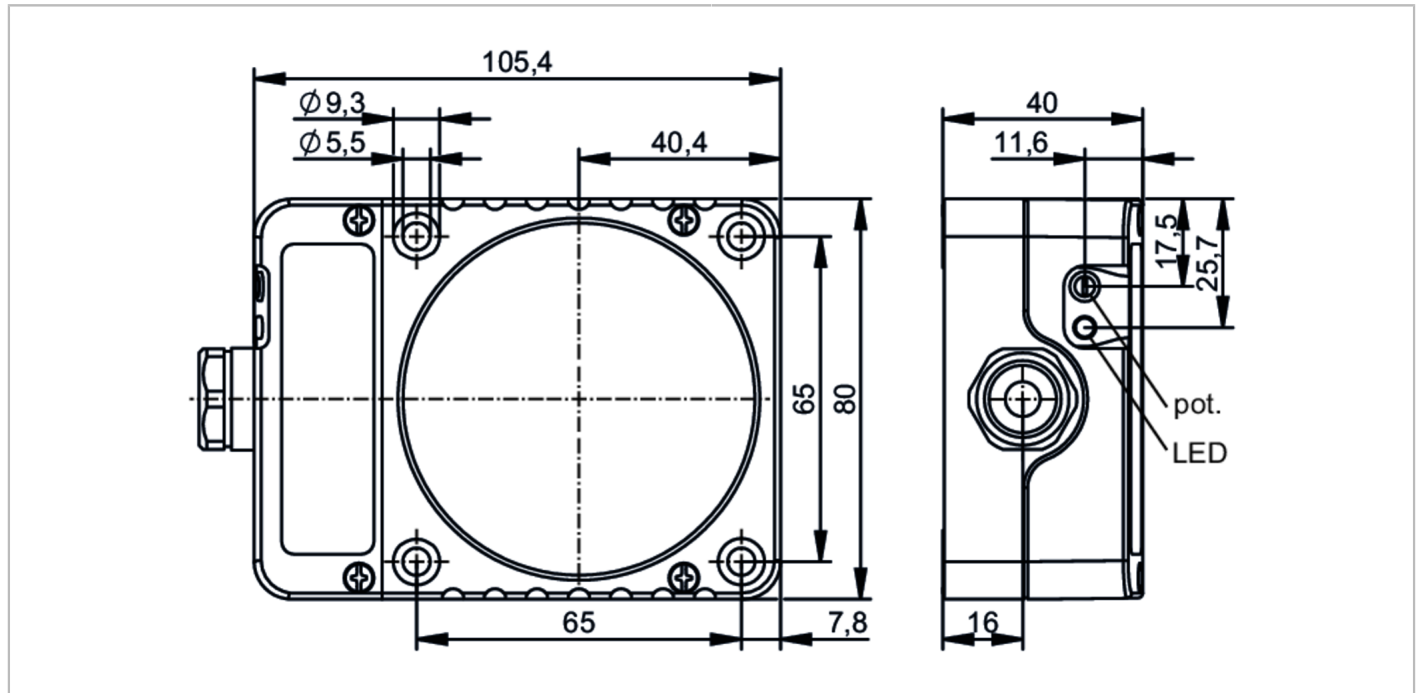


# ID5023



## Inductive sensor

IDE3060-FNKG



### Product characteristics

Electrical design		NPN
Output function		normally open / normally closed; (selectable)
Sensing range	[mm]	60
Housing		rectangular
Dimensions	[mm]	105 x 80 x 40

### Electrical data

Operating voltage	[V]	10...36 DC
Current consumption	[mA]	15; (24 V)
Protection class		II
Reverse polarity protection		yes

### Outputs

Electrical design		NPN
Output function		normally open / normally closed; (selectable)
Max. voltage drop switching output DC	[V]	2.5
Permanent current rating of switching output DC	[mA]	250
Switching frequency DC	[Hz]	4
Short-circuit protection		yes
Type of short-circuit protection		pulsed
Overload protection		yes

### Detection zone

Sensing range	[mm]	60
---------------	------	----

# ID5023



## Inductive sensor

IDE3060-FNKG

Sensing range adjustable	yes
Factory setting sensing range [mm]	60
Real sensing range Sr [mm]	60 ± 10 %
Operating distance [mm]	0...48.6

### Accuracy / deviations

Correction factor	steel: 1 / stainless steel: 0.7 / brass: 0.4 / aluminium: 0.3 / copper: 0.2
Hysteresis [% of Sr]	1...15
Switch point drift [% of Sr]	-10...10

### Operating conditions

Ambient temperature [°C]	-25...80
Protection	IP 65

### Tests / approvals

EMC	EN 60947-5-2	
	EN 55011	class B
MTTF [years]	963	

### Mechanical data

Weight [g]	435
Housing	rectangular
Mounting	non-flush mountable
Dimensions [mm]	105 x 80 x 40
Materials	PPE modified

### Displays / operating elements

Display	switching status	1 x LED, yellow
---------	------------------	-----------------

### Accessories

Items supplied	screwdriver: 1
----------------	----------------

### Remarks

Pack quantity	1 pcs.
---------------	--------

### Electrical connection

terminals: ...2.5 mm<sup>2</sup>; Cable sheath: Ø 7...13 mm; Cable gland: M20 X 1.5

#### Connection

