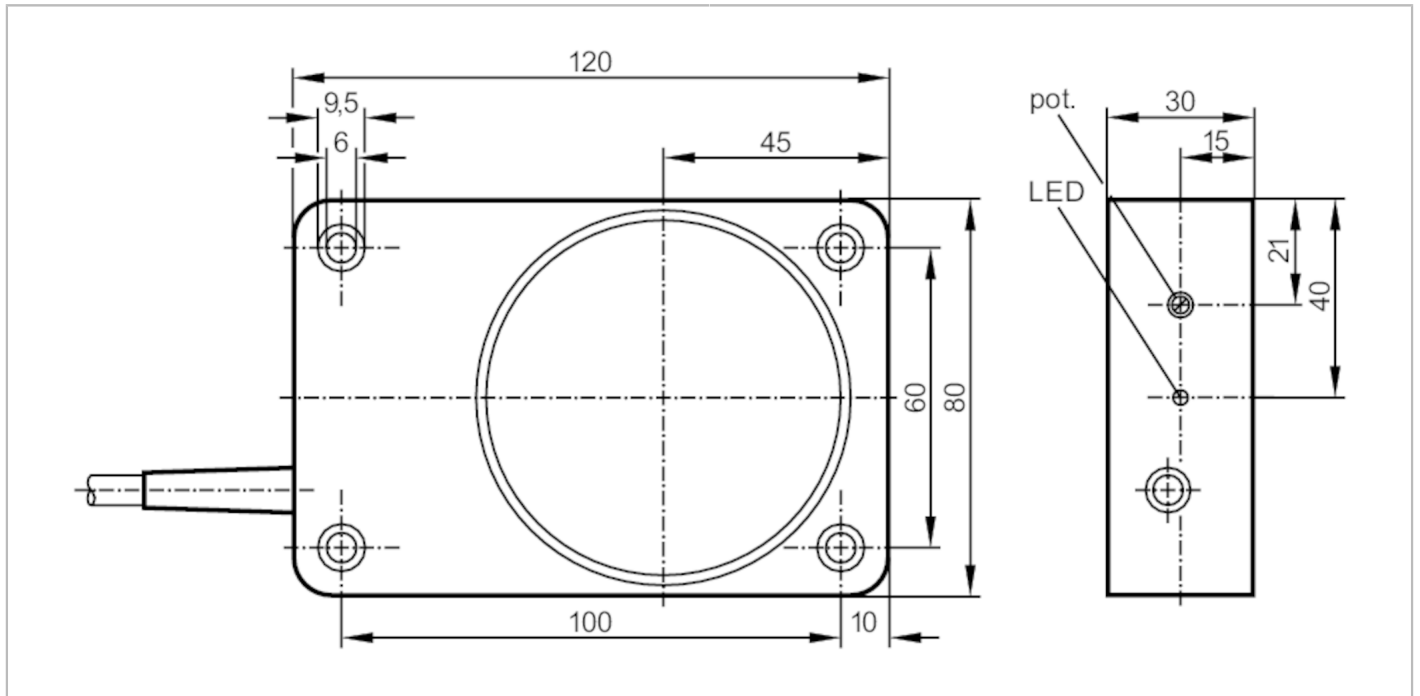


ID5028



Inductive sensor

ID-3050-ANKG



Product characteristics

Electrical design		NPN
Output function		normally open
Sensing range	[mm]	50
Housing		rectangular
Dimensions	[mm]	120 x 80 x 30

Electrical data

Operating voltage	[V]	10...36 DC
Current consumption	[mA]	15; (24 V)
Protection class		II
Reverse polarity protection		yes

Outputs

Electrical design		NPN
Output function		normally open
Max. voltage drop switching output DC	[V]	2.5
Permanent current rating of switching output DC	[mA]	250
Switching frequency DC	[Hz]	8
Short-circuit protection		yes
Type of short-circuit protection		pulsed
Overload protection		yes

Detection zone

Sensing range	[mm]	50
---------------	------	----

ID5028



Inductive sensor

ID-3050-ANKG

Sensing range adjustable	yes
Factory setting sensing range [mm]	50
Real sensing range Sr [mm]	50 ± 10 %
Operating distance [mm]	0...40.5
Accuracy / deviations	
Correction factor	steel: 1 / stainless steel: 0.7 / brass: 0.4 / aluminium: 0.3 / copper: 0.2
Hysteresis [% of Sr]	1...15
Switch point drift [% of Sr]	-10...10
Operating conditions	
Ambient temperature [°C]	-25...80
Protection	IP 65
Tests / approvals	
EMC	EN 60947-5-2
	EN 55011 class B
MTTF [years]	1132
Mechanical data	
Weight [g]	595.5
Housing	rectangular
Mounting	non-flush mountable
Dimensions [mm]	120 x 80 x 30
Materials	PPE modified
Displays / operating elements	
Display	switching status 1 x LED, yellow
Accessories	
Items supplied	screwdriver: 1
Remarks	
Pack quantity	1 pcs.

ID5028



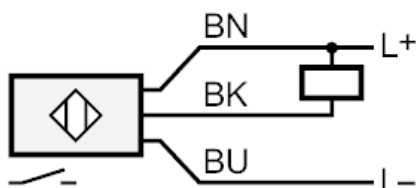
Inductive sensor

ID-3050-ANKG

Electrical connection

Cable: 2 m, PVC; 3 x 0.5 mm²

Connection



Core colours :
BN = brown
BU = blue
BK = black