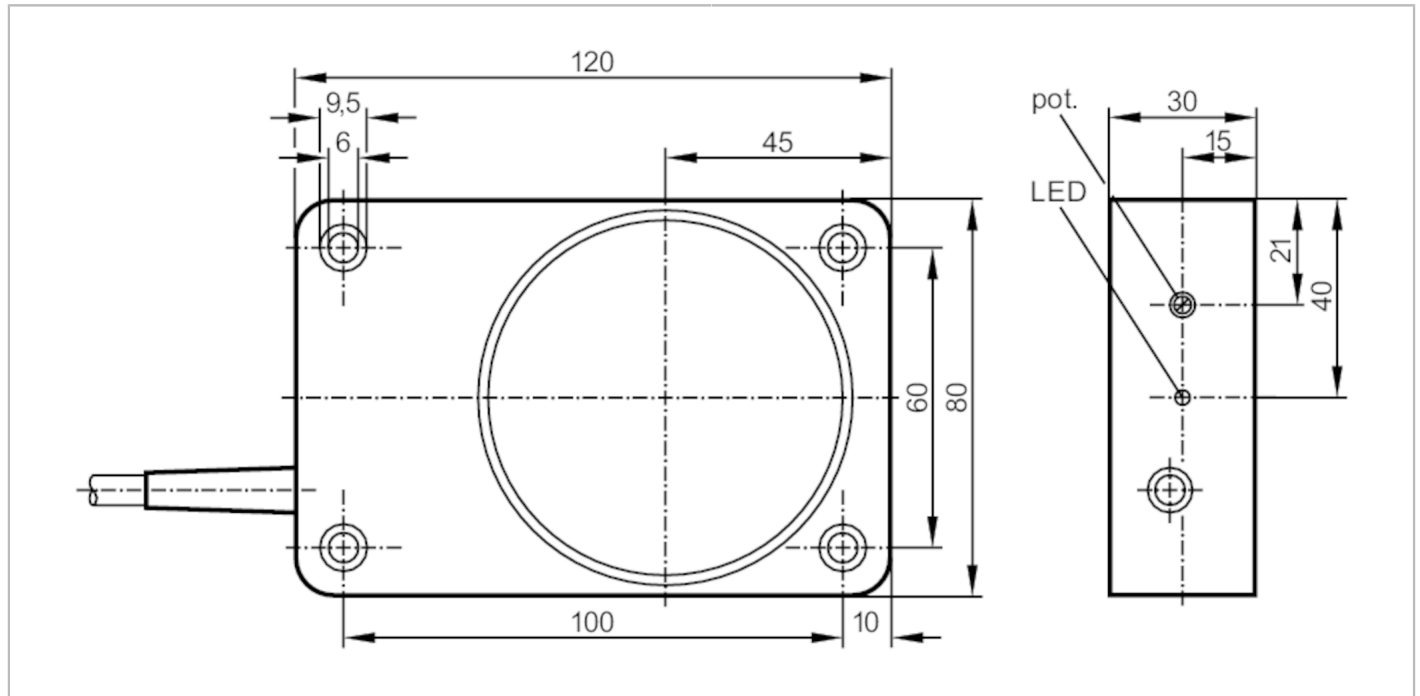


# ID5033



## Inductive sensor

ID-3050-BPKG/6M



### Product characteristics

Electrical design		PNP
Output function		normally open
Sensing range	[mm]	50
Housing		rectangular
Dimensions	[mm]	120 x 80 x 30

### Electrical data

Operating voltage	[V]	10...36 DC
Current consumption	[mA]	15; (24 V)
Protection class		II
Reverse polarity protection		yes

### Outputs

Electrical design		PNP
Output function		normally open
Max. voltage drop switching output DC	[V]	2.5
Permanent current rating of switching output DC	[mA]	250
Switching frequency DC	[Hz]	100
Short-circuit protection		yes
Type of short-circuit protection		pulsed
Overload protection		yes

### Detection zone

Sensing range	[mm]	50
---------------	------	----

# ID5033



## Inductive sensor

ID-3050-BPKG/6M

Sensing range adjustable	yes
Factory setting sensing range [mm]	50
Real sensing range Sr [mm]	50 ± 10 %
Operating distance [mm]	0...40.5

### Accuracy / deviations

Correction factor	steel: 1 / stainless steel: 0.7 / brass: 0.4 / aluminium: 0.3 / copper: 0.2
Hysteresis [% of Sr]	1...15
Switch point drift [% of Sr]	-10...10

### Operating conditions

Ambient temperature [°C]	-25...80
Protection	IP 67

### Tests / approvals

EMC	EN 61000-4-2 ESD	- CD / 8 kV AD
	EN 61000-4-3 HF radiated	10 V/m
	EN 61000-4-4 Burst	2 kV
	EN 61000-4-5 Surge	0,5 kV line to line, Ri: 2 Ohm
	EN 61000-4-6 HF conducted	3 V
	EN 55011	class B
MTTF [years]	1390	

### Mechanical data

Weight [g]	750
Housing	rectangular
Mounting	non-flush mountable
Dimensions [mm]	120 x 80 x 30
Materials	PPE

### Displays / operating elements

Display	switching status	1 x LED, yellow
---------	------------------	-----------------

### Accessories

Items supplied	screwdriver: 1
----------------	----------------

### Remarks

Pack quantity	1 pcs.
---------------	--------

# ID5033



## Inductive sensor

ID-3050-BPKG/6M

### Electrical connection

Cable: 6 m, PVC; 3 x 0.5 mm<sup>2</sup>

### Connection



Core colours :  
BN = brown  
BU = blue  
BK = black