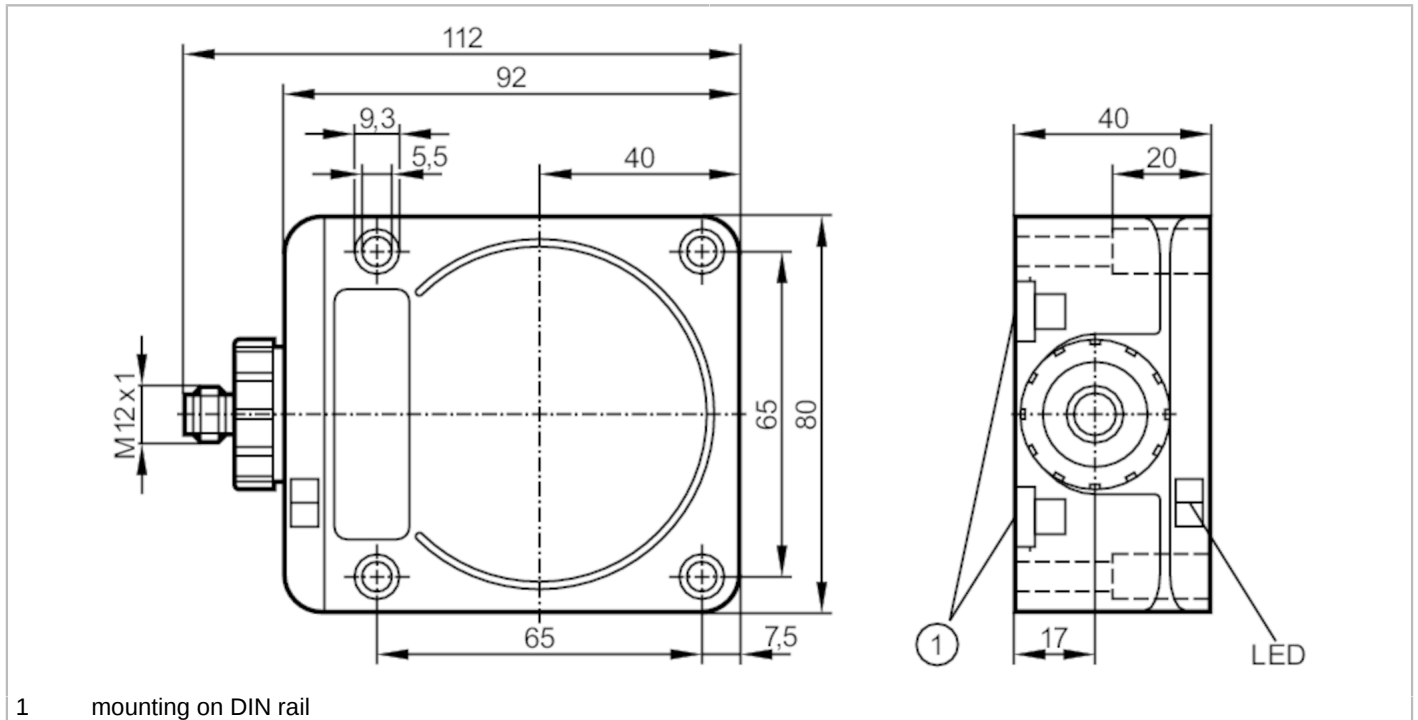


ID5059



Inductive sensor

IDC4050UCPKG/SC/2LED/US-100DPA



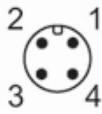
Product characteristics	
Electrical design	PNP
Output function	complementary
Sensing range [mm]	50
Housing	rectangular
Dimensions [mm]	92 x 80 x 40
Application	
Special feature	anti-spatter
Electrical data	
Operating voltage [V]	10...36 DC
Current consumption [mA]	20; (24 V)
Protection class	II
Reverse polarity protection	yes
Outputs	
Electrical design	PNP
Output function	complementary
Max. voltage drop switching output DC [V]	2.5
Permanent current rating of switching output DC [mA]	250
Switching frequency DC [Hz]	70
Short-circuit protection	yes
Type of short-circuit protection	pulsed
Overload protection	yes

ID5059



Inductive sensor

IDC4050UCPKG/SC/2LED/US-100DPA

Detection zone		
Sensing range	[mm]	50
Operating distance	[mm]	0...40.5; (mounted flush with mild steel (ST37))
Accuracy / deviations		
Correction factor		steel: 1 / stainless steel: 0.85 / brass: 0.48 / aluminium: 0.46 / copper: 0.38
Hysteresis	[% of Sr]	3...20
Switch point drift	[% of Sr]	-15...15
Operating conditions		
Ambient temperature	[°C]	-25...70
Protection		IP 67
Tests / approvals		
EMC		EN 60947-5-2
MTTF	[years]	1162
UL approval	Ta	-25...70 °C
	Enclosure type	Type 1
	power supply	Class 2
	File number UL	E174191
Mechanical data		
Weight	[g]	422.5
Housing		rectangular
Mounting		flush mountable
Type of mounting		rail; (TH35 (EN 60715))
Dimensions	[mm]	92 x 80 x 40
Materials		PPE anti-spatter; brass white bronze coated; diecast zinc
Displays / operating elements		
Display	switching status	1 x LED, yellow
	operation	1 x LED, green
Accessories		
Items supplied		sealing plug: 1
Remarks		
Pack quantity		1 pcs.
Electrical connection - plug		
Connector: 1 x M12; coding: A		
		

ID5059



Inductive sensor

IDC4050UCPKG/SC/2LED/US-100DPA

Connection

