

Product data sheet

Specifications



I/O expansion module, Modicon M238 logic controller, Twido, 16 outputs relay, 1 removable screw terminal block, wear part

TM2DRA16RT

⚠ Discontinued - Service only

⚠ Discontinued on: Jun 28, 2019

⚠ To be end-of-service on: Jun 30, 2024

Product availability: Non-Stock - Not normally stocked in distribution facility

Main

Range Of Product	Modicon M238 logic controller
Product Or Component Type	I/O expansion module
Discrete Output Number	16
Discrete Output Type	Relay

Complementary

Range Compatibility	Twido Advantys OTB
Discrete Output Function	1 NO
Current Per Channel	2 A
Maximum Current Per Output Common	8 A
Number Of Common Point	2
Contact Resistance	45 mOhm
Response Time	<= 10 ms from state 0 to state 1 input <= 5 ms from state 1 to state 0 input
Minimum Switching Current	0.1 mA 0.1 V DC
Isolation Between Channels	1500 V for 1 minute
Isolation Between Channels And Internal Logic	2300 V for 1 minute
Isolation Between Output Channels Group	1500 V for 1 minute
Mechanical Durability	20000000 cycles
Electrical Durability	100000 cycles 0.5 A AC-15 240 V AC cos phi = 0.35 inductive 100000 cycles 1 A AC-15 240 V AC cos phi = 0.7 inductive 100000 cycles 1 A DC-13 24 V DC inductive (L/R = 7 ms) 100000 cycles 2 A 240 V AC resistive 100000 cycles 2 A 30 V DC resistive
Current Consumption	30 mA 5 V DC at state 1 for all output 40 mA 24 V DC at state 1 for all output
Local Signalling	1 display block
Electrical Connection	1 removable screw terminal block
Mounting Support	35 mm symmetrical DIN rail

Price is "List Price" and may be subject to a trade discount – check with your local distributor or retailer for actual price.

Net Weight	0.32 lb(US) (0.145 kg)
------------	------------------------

Environment

Depth	3.33 in (84.6 mm)
Height	3.54 in (90 mm)
Width	1.07 in (27.3 mm)

Ordering and shipping details

Category	US1BMS180230
Discount Schedule	BMS1
Gtin	3595863995985
Returnability	No
Country Of Origin	US

Packing Units

Unit Type Of Package 1	PCE
Number Of Units In Package 1	1
Package 1 Height	2.94 in (7.461 cm)
Package 1 Width	4.12 in (10.469 cm)
Package 1 Length	4.90 in (12.445 cm)
Package 1 Weight	8.41 oz (238.4 g)
Unit Type Of Package 2	S01
Number Of Units In Package 2	5
Package 2 Height	5.91 in (15 cm)
Package 2 Width	5.91 in (15 cm)
Package 2 Length	15.75 in (40 cm)
Package 2 Weight	2.96 lb(US) (1.342 kg)
Unit Type Of Package 3	PAL
Number Of Units In Package 3	25
Package 3 Height	11.77 in (29.9 cm)
Package 3 Width	15.67 in (39.8 cm)
Package 3 Length	9.84 in (25 cm)
Package 3 Weight	14.48 lb(US) (6.567 kg)

Contractual warranty

Warranty	18 months
----------	-----------

Sustainability

Green Premium™ label is Schneider Electric's commitment to delivering products with best-in-class environmental performance. Green Premium promises compliance with the latest regulations, transparency on environmental impacts, as well as circular and low-CO₂ products.

Guide to assessing product sustainability is a white paper that clarifies global eco-label standards and how to interpret environmental declarations.

[Learn more about Green Premium >](#)

[Guide to assess a product's sustainability >](#)

Well-being performance

✓ Reach Free Of Svhc

✓ Mercury Free

✓ Rohs Exemption Information [Yes](#)

✓ Pvc Free

Reach Regulation [REACH Declaration](#)

Eu Rohs Directive Pro-active compliance (Product out of EU RoHS legal scope)

China Rohs Regulation [China RoHS declaration](#)

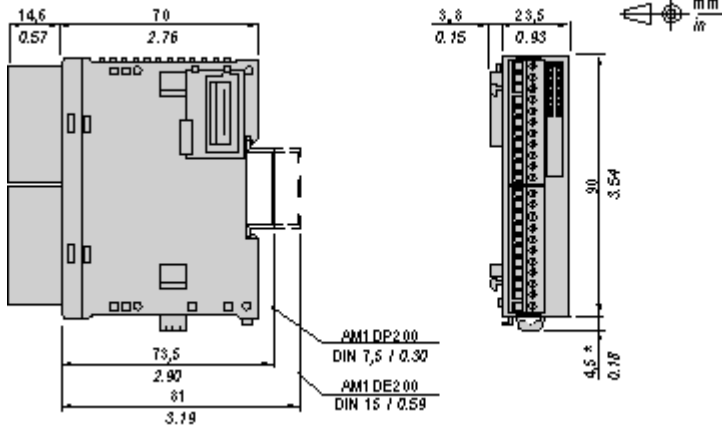
Weee The product must be disposed on European Union markets following specific waste collection and never end up in rubbish bins.

California Proposition 65 WARNING: This product can expose you to chemicals including: Lead and lead compounds, which is known to the State of California to cause cancer and birth defects or other reproductive harm. For more information go to www.P65Warnings.ca.gov

Dimensions Drawings

Digital Relay Output Module (16-contact)

Dimensions

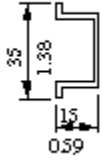


NOTE: * 8.5 mm (0.33 in) when the clamp is pulled out.

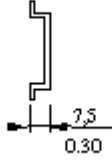
Mounting and Clearance

DIN Rail Mounting

AM1DE200
IEC/EN 60715



AM1DP200



AM1ED200



DZ5MB200

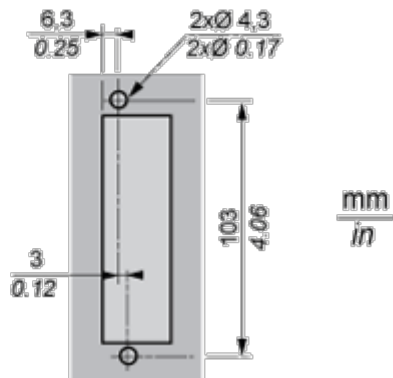
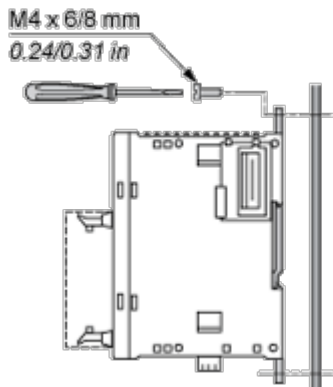


Rail depth	Catalogue part number
15 mm (0.59 in.)	AM1DE200
7,5 mm (0.30 in.)	AM1DP200

NOTE: Do not use AM1ED200 and DZ5MB200

Module Mounting on a Panel Surface

Mounting Hole Layout



Connections and Schema

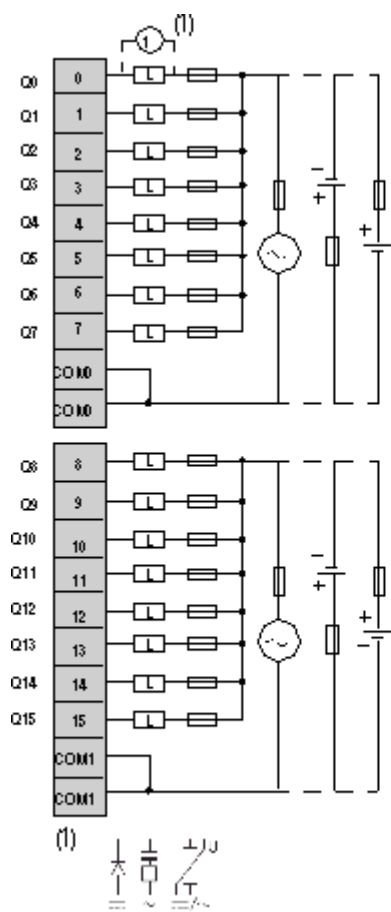
Wiring Requirements

Cable Types and Wire Sizes for Removable Screw Terminal Block

mm ²	0,14...1,5	0,25...0,5	0,25...1,5	0,14...0,5	0,14...0,75	0,25...0,34	0,5
AWG	26...16	24...20	24...16	26...20	26...18	24...22	20

Digital Relay Output Module (16-contact)

Wiring Diagram



L Load