

# Product data sheet

Specifications



Small panel with keypad, with matrix screen, green, 122 x 32 pixels, 24V

XBTN410

⚠ Discontinued on: Feb 17, 2021

⚠ End-of-service on: Dec 23, 2022

⚠ Discontinued

**Product availability: Non-Stock - Not normally stocked in distribution facility**

## Main

Range Of Product	Magelis XBTN
Product Or Component Type	Small panel with keypad
Display Resolution	122 x 32 pixels
Software Type	Configuration software
Software Designation	Vijeo Designer Lite
Operating System	Magelis

## Complementary

Display Type	Extra-bright matrix backlit LCD
Display Colour	Green
Character Font	Greek Katakana Chinese (simplified Chinese) Cyrillic ASCII
[Us] Rated Supply Voltage	24 V DC
Supply	External source
Supply Voltage Limits	18...30 V
Residual Ripple	1200 mV
Power Consumption In W	5 W
Number Of Key	8
Number Of Fixed Keys	4
Number Of Customisable Keys	4
Number Of Pages	200 application pages 256 alarm pages
Memory Type	Flash
Memory Capacity	512 KB
Integrated Connection Type	Power supply removable screw terminal block Serial link female SUB-D 25, asynchronous RS232C/RS485)multidrop
Realtime Clock	Access to the PLC real-time clock
Product Mounting	Flush mounting
Fixing Mode	By 2 spring clips

Price is "List Price" and may be subject to a trade discount – check with your local distributor or retailer for actual price.

<b>Display Material</b>	Polyester
<b>Front Material</b>	PPT
<b>Keypad Material</b>	Polyester
<b>Marking</b>	CE
<b>Width</b>	5.20 in (132 mm)
<b>Height</b>	2.91 in (74 mm)
<b>Depth</b>	1.69 in (43 mm)
<b>Cut-Out Dimensions</b>	119.4 (+/- 0.5) x 63 (+/- 0.4) mm
<b>Net Weight</b>	0.84 lb(US) (0.38 kg)

## Environment

<b>Messages Display Capacity</b>	1 line of 5 characters minimum 4 lines of 20 characters maximum
<b>Downloadable Protocols</b>	Modbus Third party protocols Uni-TE
<b>Standards</b>	CSA C22.2 No 14 IEC 61131-2 IEC 60068-2-27 IEC 60068-2-6 UL 508
<b>Product Certifications</b>	ATEX zone 2/22 UL Class 1 Division 2 UL 1604 CSA Class 1 Division 2
<b>Ambient Air Temperature For Operation</b>	32...131 °F (0...55 °C)
<b>Ambient Air Temperature For Storage</b>	-4...140 °F (-20...60 °C)
<b>Relative Humidity</b>	0...85 % without condensation
<b>Ip Degree Of Protection</b>	IP20 IEC 60529 rear panel) IP65 IEC 60529 front panel)
<b>Nema Degree Of Protection</b>	NEMA 4X front panel outdoor use)
<b>Shock Resistance</b>	15 gn 11 ms
<b>Vibration Resistance</b>	+/- 3.5 mm 2...8.45 Hz) 1 gn 8.45...150 Hz)

## Ordering and shipping details

<b>Category</b>	US10MC222570
<b>Discount Schedule</b>	0MC2
<b>Gtin</b>	3389119000024
<b>Returnability</b>	No
<b>Country Of Origin</b>	CN

## Packing Units

<b>Unit Type Of Package 1</b>	PCE
<b>Number Of Units In Package 1</b>	1
<b>Package 1 Height</b>	1.97 in (5 cm)
<b>Package 1 Width</b>	6.30 in (16 cm)

<b>Package 1 Length</b>	9.17 in (23.3 cm)
<b>Package 1 Weight</b>	15.91 oz (451 g)
<b>Unit Type Of Package 2</b>	S03
<b>Number Of Units In Package 2</b>	11
<b>Package 2 Height</b>	11.81 in (30 cm)
<b>Package 2 Width</b>	11.81 in (30 cm)
<b>Package 2 Length</b>	15.75 in (40 cm)
<b>Package 2 Weight</b>	12.63 lb(US) (5.729 kg)

## Contractual warranty

<b>Warranty</b>	18 months
-----------------	-----------

## Sustainability

**Green Premium™** label is Schneider Electric's commitment to delivering products with best-in-class environmental performance. Green Premium promises compliance with the latest regulations, transparency on environmental impacts, as well as circular and low-CO<sub>2</sub> products.

**Guide to assessing product sustainability** is a white paper that clarifies global eco-label standards and how to interpret environmental declarations.

[Learn more about Green Premium >](#)

[Guide to assess a product's sustainability >](#)


## Well-being performance

 Reach Free Of Svhc

---

 Mercury Free

---

 Rohs Exemption Information Yes

---

**Reach Regulation** [REACH Declaration](#)

---

**Eu Rohs Directive** Pro-active compliance (Product out of EU RoHS legal scope)

---

**China Rohs Regulation** [China RoHS declaration](#)

---

**Weee** The product must be disposed on European Union markets following specific waste collection and never end up in rubbish bins.

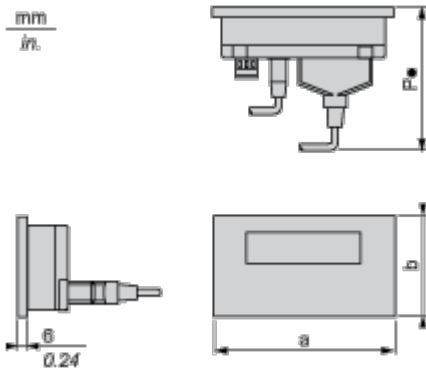
---

**California Proposition 65** WARNING: This product can expose you to chemicals including: Lead and lead compounds, which is known to the State of California to cause cancer and birth defects or other reproductive harm. For more information go to [www.P65Warnings.ca.gov](http://www.P65Warnings.ca.gov)

---

Dimensions Drawings

Dimensions



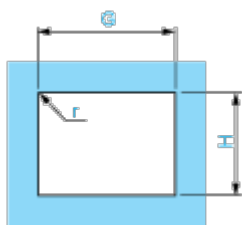
a		b		b1 (1)		P3 (2)		P4 (3)	
mm	in.	mm	in.	mm	in.	mm	in.	mm	in.
132	5.19	74	3	104	4.09	58	2.28	104	4.09

- (1) With fixing clips (included with product)
- (2) P3: depth with 25-way SUB-D angled cable XBTZ9680 (for Twido, TSX Micro and Premium) or XBTZ998 (for Modicon STB)
- (3) P4: depth with 25-way SUB-D cable XBTZ68/Z9681(for Twido, TSX Micro and Premium)

Mounting and Clearance

**Cut-out for Flush Mounting**

---



Panel thickness = 1.5...6 mm / 0.05...0.23 in.

H		G		r max.	
±0.4 mm	±0.02 in.	±0.5 mm	±0.02 in.	mm	in.
63	2.48	119.4	5	1.5	0.05