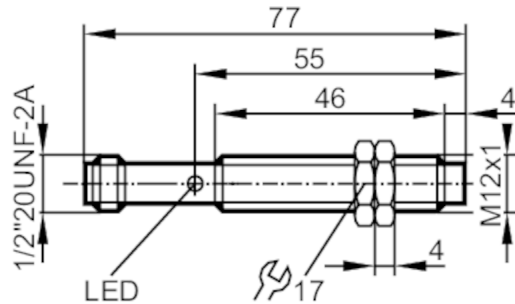


# IF0301



## Inductive sensor

IFA2004-ABOW/SL/LS-100AK



### Product characteristics

Output function		normally open
Sensing range	[mm]	4
Housing		threaded type
Dimensions	[mm]	M12 x 1 / L = 77

### Electrical data

Frequency AC	[Hz]	45...65
Operating voltage	[V]	20...250 AC
Protection class		I
Reverse polarity protection		no

### Outputs

Output function		normally open
Max. voltage drop switching output AC	[V]	8.5
Minimum load current	[mA]	8
Max. leakage current	[mA]	2
Permanent current rating of switching output AC	[mA]	200; (250 (...50 °C))
Short-time current rating of switching output	[mA]	900; (20 ms / 0,5 Hz)
Switching frequency AC	[Hz]	25
Short-circuit proof		no
Overload protection		no

### Detection zone

Sensing range	[mm]	4
Real sensing range Sr	[mm]	4 ± 10 %
Operating distance	[mm]	0...3.24

### Accuracy / deviations

Correction factor		steel: 1 / stainless steel: 0.7 / brass: 0.4 / aluminium: 0.4 / copper: 0.3
Hysteresis	[% of Sr]	3...15
Switch point drift	[% of Sr]	-10...10

# IF0301



## Inductive sensor

IFA2004-ABOW/SL/LS-100AK

### Operating conditions

Ambient temperature	[°C]	-25...80
Protection		IP 67

### Tests / approvals

EMC	EN 61000-4-2 ESD	4 kV CD / 8 kV AD
	EN 61000-4-3	3 V/m
	EN 61000-4-4 Burst	2 kV
	EN 61000-4-6	3 V
	EN 55011	class B
MTTF	[years]	932

### Mechanical data

Weight	[g]	34.6
Housing		threaded type
Mounting		non-flush mountable
Dimensions	[mm]	M12 x 1 / L = 77
Thread designation		M12 x 1
Materials		housing: brass white bronze coated; sensing face: PBT natural; Nuts: brass white bronze coated; LED window: PBT natural
Tightening torque	[Nm]	A = 3 mm: 3,5 Nm; B: 7 Nm

### Displays / operating elements

Display	switching status	1 x LED, red
---------	------------------	--------------

### Electrical connection

Required protection	miniature fuse to IEC60127-2 sheet 1; ≤ 2 A; fast acting	
---------------------	--	--

### Accessories

Items supplied	lock nuts: 2	
----------------	--------------	--

### Remarks

Remarks	Recommendation: Check the safe functioning of the unit after a short circuit.	
Pack quantity	1 pcs.	

### Electrical connection - plug

Connector: 1 x 1/2"; coding: C



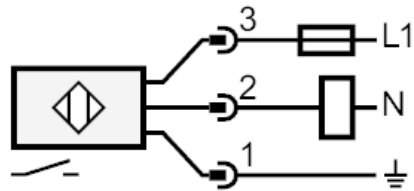
# IF0301



## Inductive sensor

IFA2004-ABOW/SL/LS-100AK

### Connection



Note miniature fuse to IEC60127-2 sheet 1  $\leq 2$  A fast acting

### Diagrams and graphs

#### Installation

