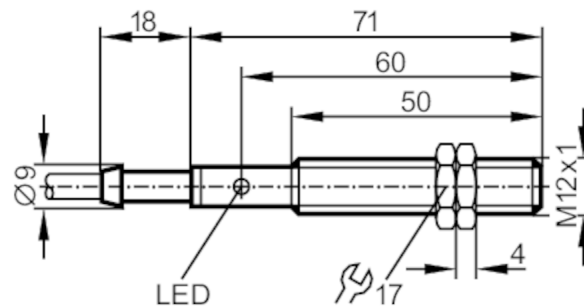


IF5395



Inductive sensor

IFA3002-BPKG/V4A/6M



Product characteristics

Electrical design		PNP
Output function		normally open
Sensing range	[mm]	2
Housing		threaded type
Dimensions	[mm]	M12 x 1 / L = 71

Application

Application	Industrial applications / factory automation
-------------	--

Electrical data

Operating voltage	[V]	10...36 DC
Current consumption	[mA]	15; (24 V)
Protection class		II
Reverse polarity protection		yes

Outputs

Electrical design		PNP
Output function		normally open
Max. voltage drop switching output DC	[V]	2.5
Permanent current rating of switching output DC	[mA]	250
Switching frequency DC	[Hz]	800
Short-circuit protection		yes
Type of short-circuit protection		pulsed
Overload protection		yes

Detection zone

Sensing range	[mm]	2
Real sensing range S_r	[mm]	$2 \pm 10\%$
Operating distance	[mm]	0...1.6

Accuracy / deviations

Correction factor		steel: 1 / stainless steel: 0.7 / brass: 0.4 / aluminium: 0.3 / copper: 0.2
Hysteresis	[% of S_r]	1...15

IF5395



Inductive sensor

IFA3002-BPKG/V4A/6M

Switch point drift	[% of Sr]	-10...10
--------------------	-----------	----------

Operating conditions

Ambient temperature	[°C]	-25...80
Protection		IP 67

Tests / approvals

EMC		EN 60947-5-2	
		EN 55011	class B
MTTF	[years]	945	

Mechanical data

Weight	[g]	264.5	
Housing		threaded type	
Mounting		flush mountable	
Dimensions	[mm]	M12 x 1 / L = 71	
Thread designation		M12 x 1	
Materials		stainless steel (1.4571/316Ti); PBT	

Displays / operating elements

Display	switching status	1 x LED, yellow
---------	------------------	-----------------

Accessories

Items supplied	lock nuts: 2	
----------------	--------------	--

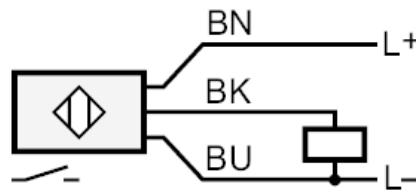
Remarks

Pack quantity	1 pcs.	
---------------	--------	--

Electrical connection

Cable: 6 m, PVC; 3 x 0.34 mm²

Connection



Core colours :
BK = black
BN = brown
BU = blue